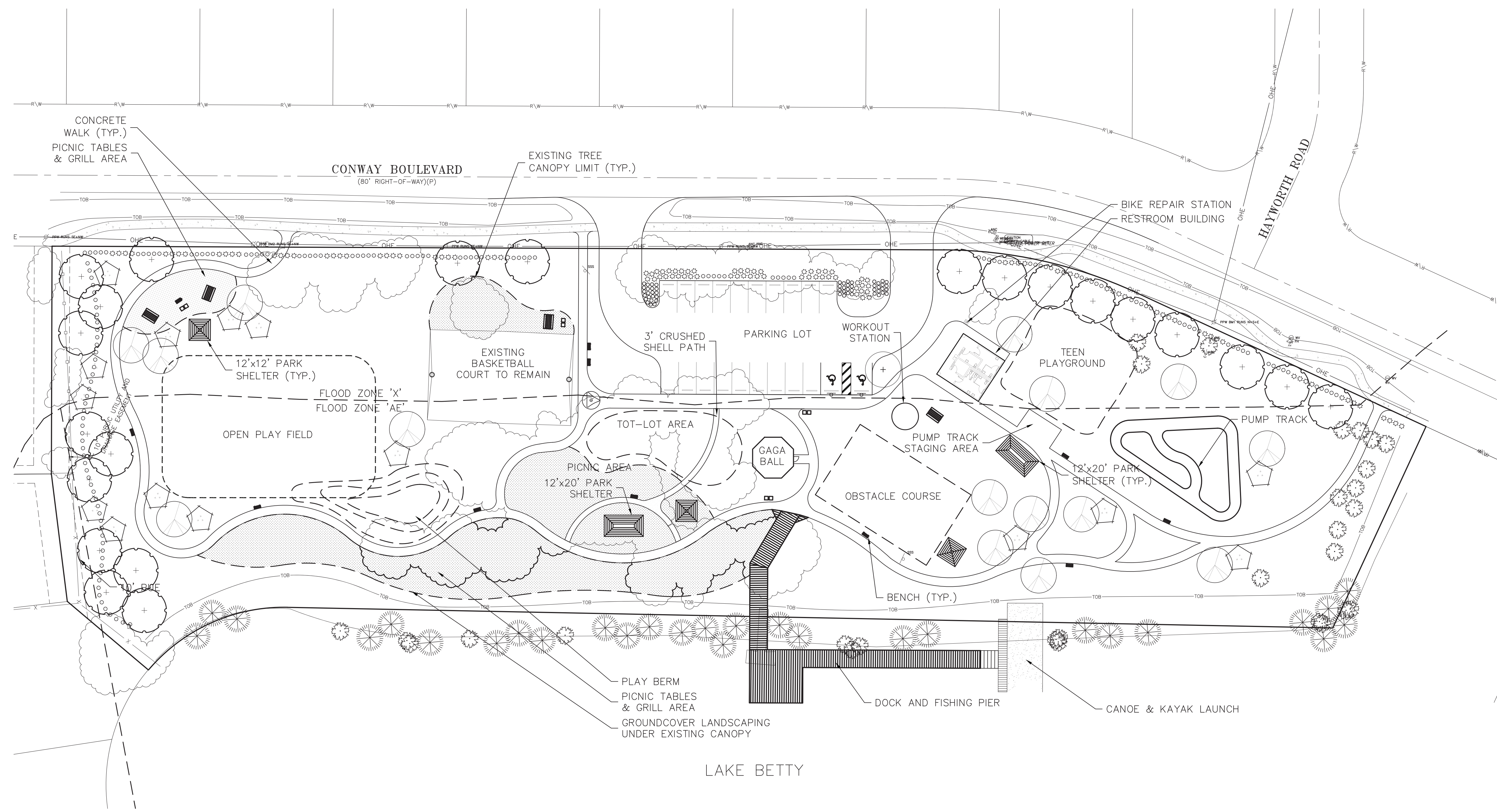
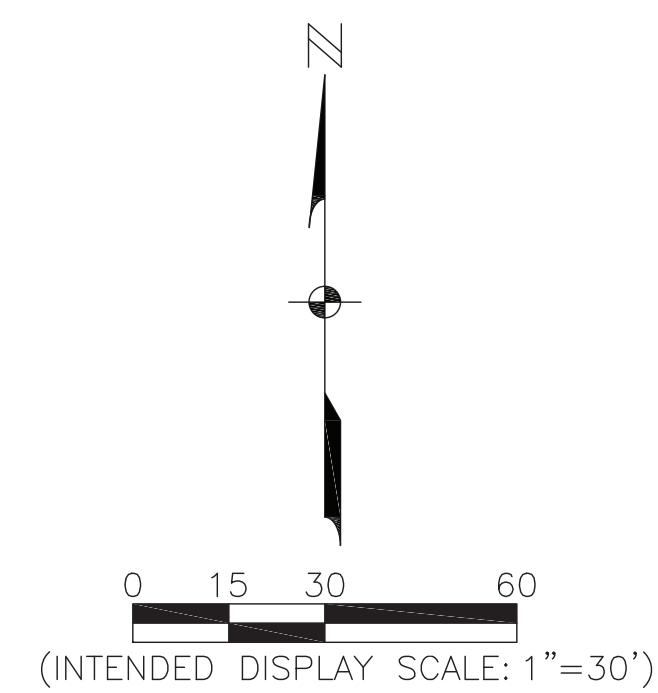


LAKE BETTY PARK

CONCEPTUAL MASTER PLAN ALTERNATIVE 1



PRESENTATION GRAPHIC
PROJECT # 20150323-011
DATE: MAY 2019



LAKE BETTY PARK

CONCEPTUAL MASTER PLAN ALTERNATIVE 2



PRESENTATION GRAPHIC
PROJECT # 20150323-011
DATE: MAY 2019

AMENITIES



EXERCISE STATION



GAGA BALL PIT



PARK SHELTER



BIKE REPAIR STATION



SAND KAYAK LAUNCH



FISHING PIER AND BOARDWALK



BENCH



TODDLER PLAYSCAPE



TEEN PLAYSCAPE



EXISTING BASKETBALL COURT



PUMP TRACK

LANDSCAPING



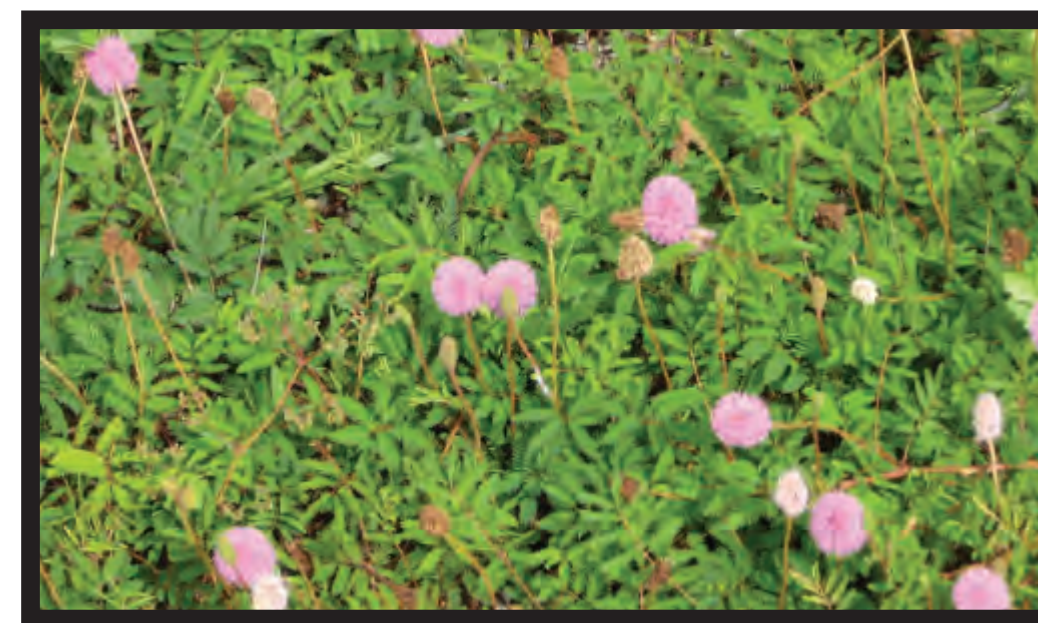
MUHLI GRASS



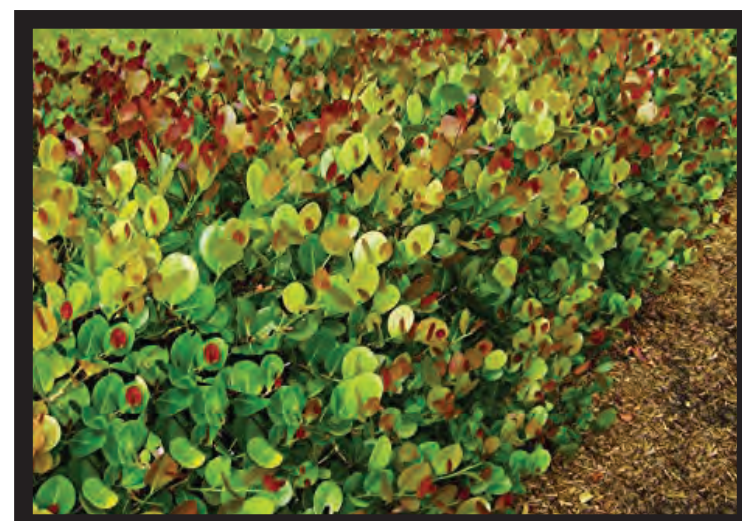
DWARF FIREBUSH



THRYALLIS



MIMOSA



COCOPLUM



MONDO GRASS



CORDGRASS

LAKE BETTY PARK

IMAGE BOARD



PRESENTATION GRAPHIC
PROJECT # 20150323-011
DATE: MAY 2019