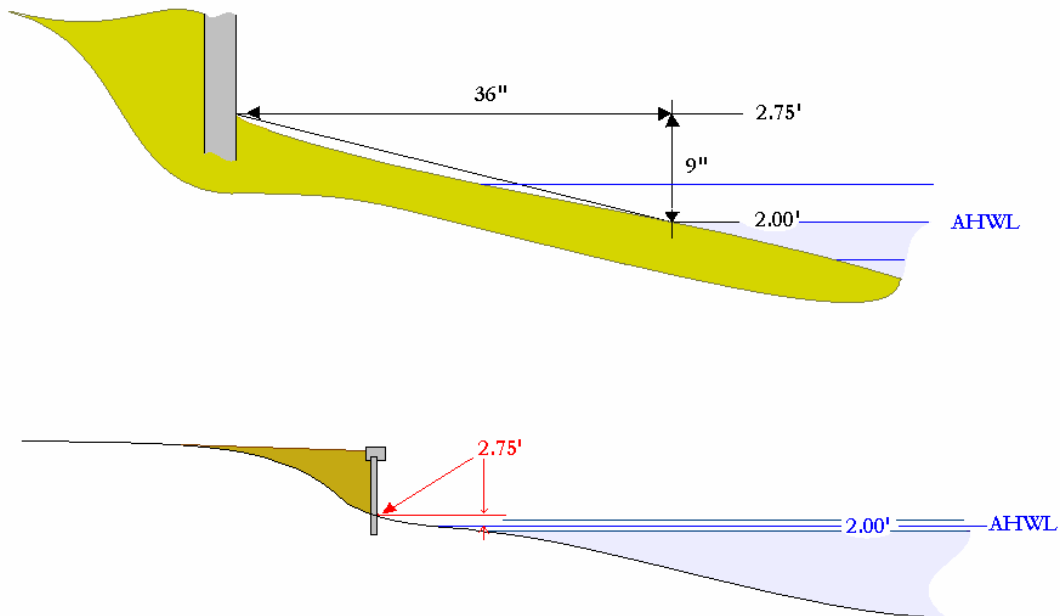




South Gulf Cove Retaining Wall Placement Standards - Dec 15, 2005

- A) All permits for new retaining walls in South Gulf Cove shall require a survey that depicts a 2.0' contour line (approximate water level), and a 2.75' contour line.
- B) The Average High Water Line for SGC has been determined to be 2.0'(All elevations NVGD).
- C) The base of any retaining wall, unless otherwise allowed, cannot extend closer to the water's edge than where a contour line of 2.75' has been located (as determined by survey). The wall must be on or behind that 2.75' contour line.
- D) The wall shall be built parallel to the platted lot line, or approximate the curve of the platted line (if applicable).
- E) If the topography of the lot is irregular, the retaining wall *may* encroach beyond the 2.75' contour line only if the total encroachment is less than or equal to 25% of length of the wall. Otherwise, the wall must be placed entirely behind the 2.75' contour line and parallel with platted lot line in accordance with the previous guidance, with the exception noted below.
- F) In the event that the 2.75' contour line is 6 feet or more from the 2.0' contour line, the retaining wall may be placed at a distance of 6' from the 2.0' contour line regardless of where the 2.75' contour line falls.



For any additional questions please contact the Charlotte County Zoning Department at 941-743-1964.