

CHARLOTTE COUNTY UTILITIES DESIGN STANDARDS FOR REMOTE STATIONS

RECLAIMED WATER BOOSTER STATION CONTROL PANEL



RECLAIMED BOOSTER STATION	
Sheet Number	Sheet Title
E2.0	COVER SHEET AND DRAWING INDEX
E2.1	ELECTRICAL SYMBOLS
E2.2	ENCLOSURE DETAILS
E2.3	BACKPANEL DETAIL AND BILL OF MATERIAL
E2.4	CONTROL POWER WIRING
E2.5	DIGITAL INPUTS CARDS 1 & 2
E2.6	DIGITAL INPUTS CARDS 3 & 4
E2.7	DIGITAL OUTPUTS CARDS 1 & 2
E2.8	DIGITAL OUTPUTS CARD 3
E2.9	ANALOG INPUTS CARDS 1 & 2
E2.10	ANALOG INPUTS CARDS 3 & 4
E2.11	ANALOG INPUTS CARDS 5 & 6
E2.12	ANALOG INPUTS CARD 7
E2.13	ANALOG OUTPUTS CARDS 1 & 2
E2.14	ANALOG OUTPUTS CARD 3

SHEET INDEX

REV	DESCRIPTION	DATE
2	REVISED	AUG-2024
1	REVISED	OCT-2023
0	STANDARDS	MAR-2023

REVISIONS

CHARLOTTE COUNTY UTILITIES DEPARTMENT

NOTE: PROVIDED FOR INFORMATIONAL PURPOSES ONLY. NO MODIFICATIONS WITHOUT WRITTEN CCU APPROVAL. FOR EACH INSTALLATION A SPECIFIC SET OF CONSTRUCTION DRAWINGS AND SPECIFICATIONS (IF DEEMED NECESSARY BY THE DESIGN ENGINEER) MUST BE PREPARED.



CHARLOTTE COUNTY UTILITIES - REMOTE
SITES CONTROL PANEL STANDARDS

RECLAIMED BOOSTER STATION
COVER SHEET AND DRAWING INDEX

DATE: OCTOBER 2023
MCE PROJ. # 07169-0012
DRAWN: CJA
DESIGNED: CJA
CHECKED: EEB
PROJ. MGR.: EEB

SCALE	E2.0
HORIZONTAL:	
VERTICAL:	1
	REVISION

STATUS:

ELECTRICAL SYMBOLS

ISA-5.3 LOOP SYMBOLS

DISTRIBUTED CONTROL/SHARED DISPLAY SYMBOLS

	NORMALLY ACCESSIBLE TO OPERATOR
	AUXILLIARY OPERATOR'S INTERFACE DEVICE
	NOT NORMALLY ACCESSIBLE TO OPERATOR

COMPUTER SYMBOLS

	NORMALLY ACCESSIBLE TO OPERATOR
	NOT NORMALLY ACCESSIBLE TO OPERATOR

LOGIC AND SEQUENTIAL CONTROL SYMBOLS

	GENERAL LOGIC
	DISTRIBUTED INTERCONNECTING CONTROLLER, NOT NORMALLY ACCESSIBLE TO OPERATOR
	DISTRIBUTED INTERCONNECTING CONTROLLER, NORMALLY ACCESSIBLE TO OPERATOR
	COMPUTATION/SIGNAL CONDITIONING
	SYSTEM/SOFTWARE/NETWORK LINK

DEVICE SYMBOLS

	RELAY COIL
	CONTACT, N.O.
	CONTACT, N.C.
	TIMER RELAY COIL
	TIME-ON DELAY, N.O. CONTACT
	TIME-ON DELAY, N.C. CONTACT
	TIME-OFF DELAY, N.O. CONTACT
	TIME-OFF DELAY, N.C. CONTACT
	PUSH BUTTON, N.O. CONTACT
	PUSH BUTTON, N.C. CONTACT
	MUSHROOM HEAD PUSH BUTTON, N.O. CONTACT
	MUSHROOM HEAD PUSH BUTTON, N.C. CONTACT
	SELECTOR SWITCH, N.O. CONTACT
	SELECTOR SWITCH, N.C. CONTACT
	LIMIT SWITCH, N.O. CONTACT
	LIMIT SWITCH, N.C. CONTACT
	PRESSURE SWITCH, N.O. CONTACT
	PRESSURE SWITCH, N.C. CONTACT

DEVICE SYMBOLS

	TEMPERATURE SWITCH, N.O. CONTACT
	TEMPERATURE SWITCH, N.C. CONTACT
	FLOW SWITCH, N.O. CONTACT
	FLOW SWITCH, N.C. CONTACT
	FLOAT SWITCH, N.O. CONTACT
	FLOAT SWITCH, N.C. CONTACT
	FOOT SWITCH, N.O. CONTACT
	FOOT SWITCH, N.C. CONTACT
	TOGGLE SWITCH, N.O. CONTACT
	TOGGLE SWITCH, N.C. CONTACT
	THERMAL OVERLOAD
	SOLENOID
	HORN
	PILOT LIGHT W - WHITE G - GREEN A - AMBER R - RED B - BLUE
	PILOT LIGHT, PUSH TO TEST
	FUSE
	CIRCUIT BREAKER
	GROUND

DEVICE SYMBOLS

	CONTROL POWER TRANSFORMER
	CURRENT TRANSFORMER
	POTENTIOMETER
	RESISTOR
	CAPACITOR, ELECTROLYTIC
	DIODE
	ZENER DIODE
	BATTERY
	TERMINAL BLOCK, "PTB 120VAC"
	TERMINAL BLOCK, "DIGITAL INPUT"
	TERMINAL BLOCK, "DRY CONTACT"
	TERMINAL BLOCK, "ANALOG SIGNAL"
	TERMINAL BLOCK, OTHER (SPECIFY)
	ELAPSED TIME METER

WIRE SYMBOLS

	CONDUCTORS, WITH JUNCTION
	CONDUCTORS, NOT CONNECTED
	SHIELDED CABLE
	TWISTED-PAIR CABLE
	FIELD WIRING

ABBREVIATIONS

AIT	ANALYSIS INDICATING TRANSMITTER
AFD	ADJUST FREQUENCY DRIVE
BC	BYPASS CONTACTOR
BFI	BLOWN FUSE INDICATOR
C	CONTACTOR
CB	CIRCUIT BREAKER
CPT	CONTROL POWER TRANSFORMER
CR	CONTROL RELAY
CRI	CONTROL RELAY, INTRINSIC
CRL	CONTROL RELAY, LATCH
DFR	DRIVE FAIL RELAY
DI	DIGITAL INDICATOR
DUP	DUPLEXOR
DRR	DRIVE RUN RELAY
DSC	DISCONNECT SWITCH
ETM	ELAPSED TIME METER
FIT	FLOW INDICATING TRANSMITTER
FS	FLOAT SWITCH
FSR	FLOAT SWITCH RELAY
FU	FUSE
GRD	GROUND
HS	HAND SWITCH
IC	ISOLATION CONTACTOR
ISO	SIGNAL ISOLATOR/BOOSTER
LT	PILOT LIGHT
LIT	LEVEL INDICATING TRANSMITTER
LS	LIMIT SWITCH
M	MOTOR STARTER
MCC	MOTOR CONTROL CENTER
MCP	MOTOR CIRCUIT PROTECTOR
MSP	MAIN SURGE PROTECTOR
OL	OVERLOAD
PB	PUSH BUTTON
PDB	POWER DISTRIBUTION BLOCK
PIT	PRESSURE INDICATING TRANSMITTER
RIO	REMOTE I/O PANEL
POT	POTENTIOMETER
PM	PHASE MONITOR
PS	POWER SUPPLY
RCR	RUN COMMAND RELAY
RES	RESISTOR
S	SWITCH
SP	SURGE PROTECTOR
SS	SELECTOR SWITCH
SSRV	SOLID STATE REDUCED VOLTAGE STARTER
TB	TERMINAL BOARD, TERMINAL BLOCK
TC	TIME CLOCK
TR	TIME DELAY RELAY
TS	TEMPERATURE SWITCH
VFD	VARIABLE FREQUENCY DRIVE
XFMR	TRANSFORMER
ZS	LIMIT SWITCH

NOTES:
ALL SYMBOLS MAY NOT BE UTILIZED FOR THIS PROJECT.
ADDITIONAL SYMBOLS NOT SHOWN ON THIS DRAWING MAY BE SHOWN ELSEWHERE ON THE ELECTRICAL DRAWINGS.

REV	DESCRIPTION	DATE
2	REVISED	AUG-2024
1	REVISED	OCT-2023
0	STANDARDS	MAR-2023

REVISIONS

CHARLOTTE COUNTY UTILITIES DEPARTMENT

NOTE: PROVIDED FOR INFORMATIONAL PURPOSES ONLY. NO MODIFICATIONS WITHOUT WRITTEN CCU APPROVAL. FOR EACH INSTALLATION A SPECIFIC SET OF CONSTRUCTION DRAWINGS AND SPECIFICATIONS (IF DEEMED NECESSARY BY THE DESIGN ENGINEER) MUST BE PREPARED.



CHARLOTTE COUNTY UTILITIES - REMOTE SITES CONTROL PANEL STANDARDS

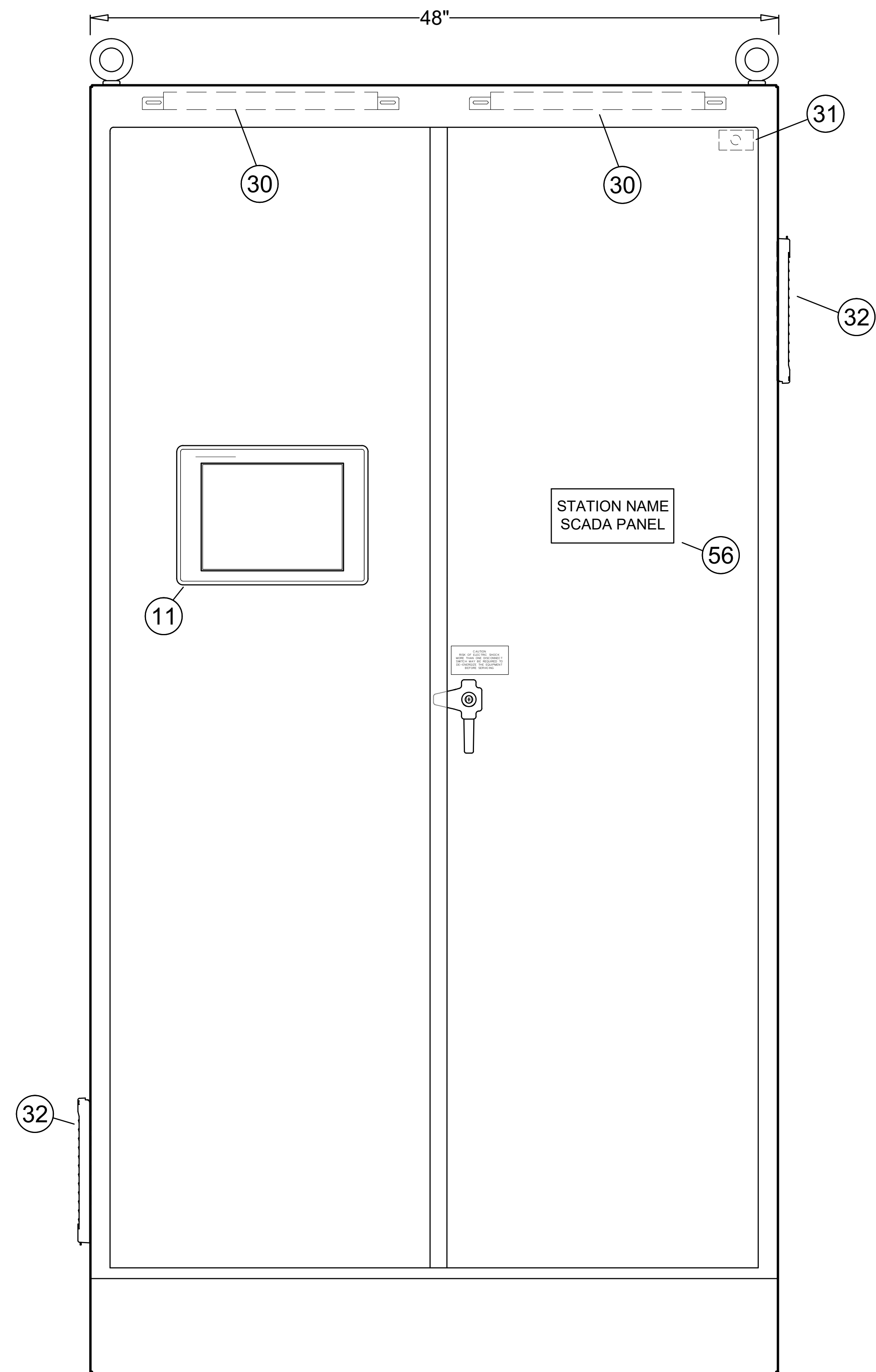
RECLAIMED BOOSTER STATION ELECTRICAL SYMBOLS

DATE: OCTOBER 2023
MCE PROJ. # 07169-0012
DRAWN: CJA
DESIGNED: CJA
CHECKED: EEB
PROJ. MGR.: EEB

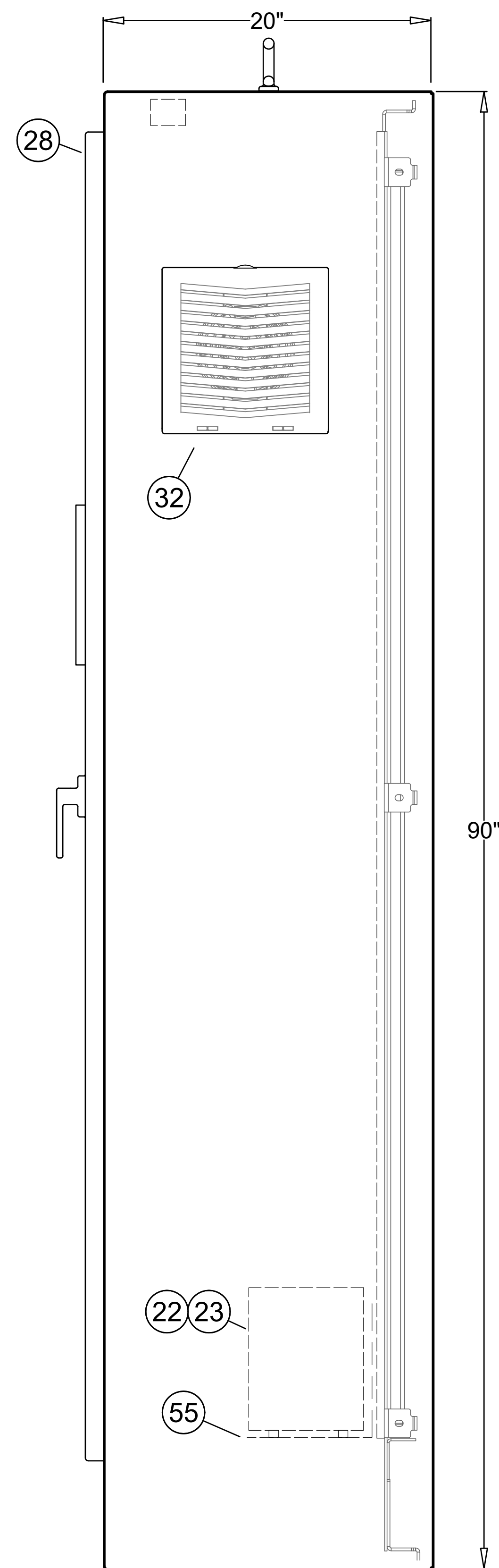
SCALE
HORIZONTAL:
VERTICAL:

E2.1
DRAWING NO.
1
REVISION

STATUS:



FRONT ENCLOSURE VIEW



SIDE ENCLOSURE VIEW

NOTES:

1. ITEM NUMBERS REFER TO BILL OF MATERIALS SHOWN ON SHEET E2.3.

REV	DESCRIPTION	DATE
2	REVISED	AUG-2024
1	REVISED	OCT-2023
0	STANDARDS	MAR-2023
REVISIONS		

CHARLOTTE COUNTY UTILITIES DEPARTMENT

NOTE: PROVIDED FOR INFORMATIONAL PURPOSES ONLY. NO MODIFICATIONS WITHOUT WRITTEN CCU APPROVAL. FOR EACH INSTALLATION A SPECIFIC SET OF CONSTRUCTION DRAWINGS AND SPECIFICATIONS (IF DEEMED NECESSARY BY THE DESIGN ENGINEER) MUST BE PREPARED.



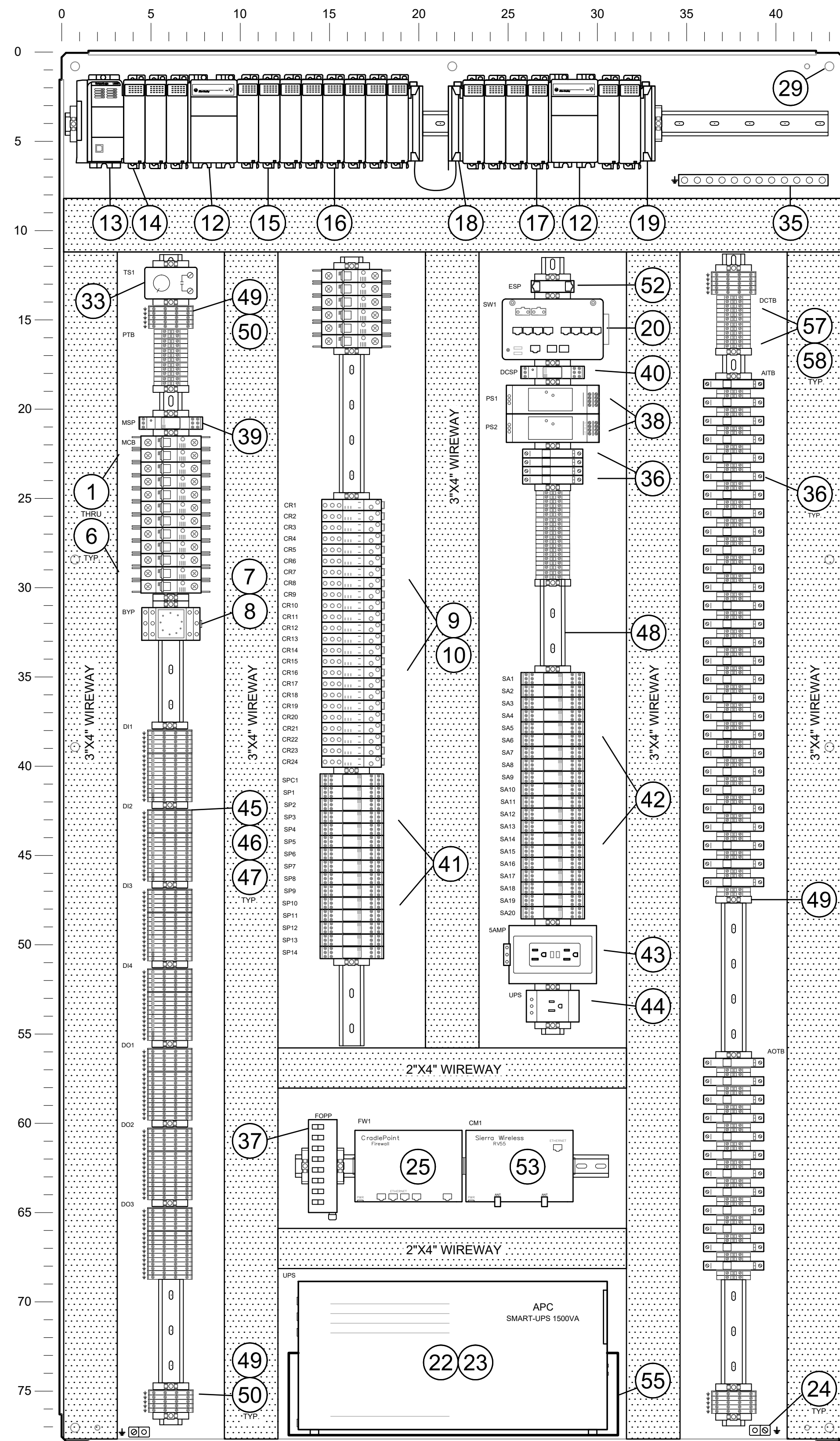
**CHARLOTTE COUNTY UTILITIES - REMOTE
SITES CONTROL PANEL STANDARDS**

**RECLAIMED BOOSTER STATION
ENCLOSURE DETAILS**

DATE: OCTOBER 2023	SCALE
MCE PROJ. # 07169-0012	HORIZONTAL:
DRAWN: CJA	VERTICAL:
DESIGNED: CJA	
CHECKED: EEB	
PROJ. MGR.: EEB	

E2.2
1
REVISION

STATUS:



BACKPANEL VIEW

ID	QTY	MANUFACTURER	CATALOG NUMBER	DESCRIPTION
1	1	ALLEN BRADLEY	1489-M1C200	UL489 CIRCUIT BREAKER, 20 AMP
2	2	ALLEN BRADLEY	1489-M1C150	UL489 CIRCUIT BREAKER, 15 AMP
3	1	ALLEN BRADLEY	1489-M1C100	UL489 CIRCUIT BREAKER, 10 AMP
4	6	ALLEN BRADLEY	1489-M1C050	UL489 CIRCUIT BREAKER, 5 AMP
5	4	ALLEN BRADLEY	1489-M1C030	UL489 CIRCUIT BREAKER, 3 AMP
6	4	ALLEN BRADLEY	1489-M1C020	UL489 CIRCUIT BREAKER, 2 AMP
7	1	ALLEN BRADLEY	700-HA33A1-3-4	3PDT RELAY WITH TEST AND INDICATOR, 10A, 120VAC
8	1	ALLEN BRADLEY	700-HN126	11-PIN RELAY BASE, 10A
9	24	ALLEN BRADLEY	700-HK36Z24-3-4	SPDT RELAY WITH TEST AND INDICATOR, SPDT, 24VDC, 16A CONTACT
10	24	ALLEN BRADLEY	700-HN221	6-PIN RELAY BASE, 16A
11	1	ALLEN BRADLEY	2711P-T12W21D8S	PANELVIEW PLUS 7 STANDARD TERMINAL, 12-IN COLOR DISPLAY
12	2	ALLEN BRADLEY	1769-PA2	COMPACTLOGIX POWER SUPPLY 120/240V AC POWER SUPPLY (5V @ 2 AMP)
13	1	ALLEN BRADLEY	1769-L36ERM	COMPACTLOGIX 5370 L3 CONTROLLER
14	4	ALLEN BRADLEY	1769-IQ16	COMPACTLOGIX DIGITAL INPUT MODULE, 16-PT, 24VDC
15	3	ALLEN BRADLEY	1769-OB8	COMPACTLOGIX RELAY OUTPUT MODULE 8-PT, 24VDC
16	7	ALLEN BRADLEY	1769-IF4I	COMPACTLOGIX 4 CHANNEL ANALOG CURRENT/VOLTAGE ISOLATED INPUT MODULE
17	3	ALLEN BRADLEY	1769-OF4CI	COMPACTLOGIX 4 CHANNEL ANALOG CURRENT ISOLATED OUTPUT MODULE
18	1	ALLEN BRADLEY	1769-CRL1	RIGHT BANK-TO-LEFT BANK EXPANSION (305 MM)
19	1	ALLEN BRADLEY	1769-ECR	RIGHT END CAP TERMINATOR
20	1	ALLEN BRADLEY	1783-MMS10R	STRATIX 5800 MANAGED ETHERNET SWITCH, 8-RJ45, 2-SFP FIBER PORTS
21	2	ALLEN BRADLEY	1783-SFP1GLX	1000 BASE-LX/LH SINGLE-MODE FIBER TRANSCEIVER (CONFIRM WITH COUNTY)
22	1	APC	SMT1500	SMT SERIES SMART-UPS TOWER, 1500VA, LINE INTERACTIVE
23	1	APC	AP9613	SMART-UPS DRY CONTACT I/O CARD
24	2	BURNDY	KA2U	GROUND LUG, #2-14
25	-	CRADLEPOINT	(COORDINATE WITH COUNTY)	NETWORK FIREWALL
27	2	GIGAMEDIA	D9SSL2M	FIBER PATCH CABLE, 2M, SINGLE MODE, LC CONNECTORS
28	1	HOFFMAN	A904820FSD	90"H 48"W X 20"D NEMA 12 ENCLOSURE
29	1	HOFFMAN	A90P48F1	BACKPANEL FOR 90"x48" ENCLOSURE
30	2	HOFFMAN	LED24V15	PANELITE LED 15" ENCLOSURE LIGHT
31	1	HOFFMAN	ALFSWD	DOOR SWITCH ASSEMBLY FOR LED LIGHT
32	2	HOFFMAN	TEP10UL12	FILTER VENT
33	1	HOFFMAN	ATEMNO	TEMPERATURE SWITCH
33	7	PANDUIT	F2X4LG6	SLOTTED WIREWAY, GRAY, 2"x4"
34	7	PANDUIT	C2LG6	2" WIREWAY COVER, GRAY
35	1	PANDUIT	UGB2-0-414-12	12-PORT UL LISTED GROUND BAR
36	48	PHOENIX CONTACT	0916603	THERMOMAGNETIC DEVICE CIRCUIT BREAKER, 1/2A
37	1	PHOENIX CONTACT	1019711	FIBER OPTIC PATCH PANEL, 6X LC DUPLEX CONNECTORS
38	2	PHOENIX CONTACT	2866750	24VDC QUINT POWER SUPPLY, 5A
39	1	PHOENIX CONTACT	2907918	120VAC SURGE PROTECTOR WITH STATUS, PLUG AND BASE
40	1	PHOENIX CONTACT	2907916	24VDC POWER SUPPLY SURGE PROTECTOR, PLUG AND BASE
41	15	PHOENIX CONTACT	2800787	24VDC DISCRETE 4-POINT SURGE PROTECTOR, PLUG AND BASE
42	20	PHOENIX CONTACT	2800980	ANALOG SIGNAL SURGE PROTECTOR, 2-CHANNEL, PLUG AND BASE
43	1	PHOENIX CONTACT	5600462	GFCI RECEPTACLE, DIN RAIL MOUNTABLE, 15A
44	1	PHOENIX CONTACT	0804155	SINGLE PLUG RECEPTACLE, DIN RAIL MOUNTABLE, 15A
45	120	PHOENIX CONTACT	3044814	2-TIER ISOLATED TERMINAL BLOCK
46	8	PHOENIX CONTACT	3047293	2-TIER TERMINAL BLOCK END COVER
47	8	PHOENIX CONTACT	3030271	2-TIER TERMINAL BLOCK JUMPER BRIDGE
48	5	PHOENIX CONTACT	0801733	STANDARD DIN RAIL 2M
49	40	PHOENIX CONTACT	0800886	DIN RAIL END BRACKET
50	20	PHOENIX CONTACT	3044597	2-TIER GROUND TERMINAL BLOCK
51	4	PHOENIX CONTACT	3047170	2-TIER TERMINAL BLOCK END COVER
52	1	TUPAVCO	TP309	RJ45 SURGE PROTECTOR DIN RAIL MOUNT
53	1	SIERRA WIRELESS	RV55	LTE CELLULAR TELEMATIC ROUTER (CONFIRM WITH COUNTY)
54	4	VERTICAL CABLE	072-600/3GY	3' CAT5E PATCH CABLE
55	1	CUSTOM	PANEL SHOP	BACKPANEL MOUNTED UPS SHELF
56	-	CUSTOM	PANEL SHOP	ENGRAVED PHENOLIC NAMEPLATES, WHITE TEXT WITH BLACK BACKGROUND
57	50	PHOENIX CONTACT	3044102	STANDARD TERMINAL BLOCK, 30A
58	6	PHOENIX CONTACT	3047028	STANDARD TERMINAL BLOCK END BARRIER

BILL OF MATERIAL

NOTES:

- BILL OF MATERIALS IS PROVIDED FOR EXAMPLE ONLY. PANEL COMPONENTS WILL VARY WITH EACH SPECIFIC BOOSTER STATION. CONTROL PANEL MANUFACTURER TO PROVIDE A COMPLETE LIST OF CONTROL PANEL MATERIALS FOR COUNTY APPROVAL BEFORE FABRICATION.
- CONTROL PANEL TO BE UL508A LISTED TYPE 12.
- CONTROL PANEL ENCLOSURE SIZE AND NUMBER OF PANEL COMPONENTS WILL VARY WITH SIZE OF THE SITE SPECIFIC INPUT AND OUTPUT LIST.

REV	DESCRIPTION	DATE
2	REVISED	AUG-2024
1	REVISED	OCT-2023
0	STANDARDS	MAR-2023

REVISIONS

CHARLOTTE COUNTY UTILITIES DEPARTMENT

NOTE: PROVIDED FOR INFORMATIONAL PURPOSES ONLY. NO MODIFICATIONS WITHOUT WRITTEN CCU APPROVAL. FOR EACH INSTALLATION A SPECIFIC SET OF CONSTRUCTION DRAWINGS AND SPECIFICATIONS (IF DEEMED NECESSARY BY THE DESIGN ENGINEER) MUST BE PREPARED.

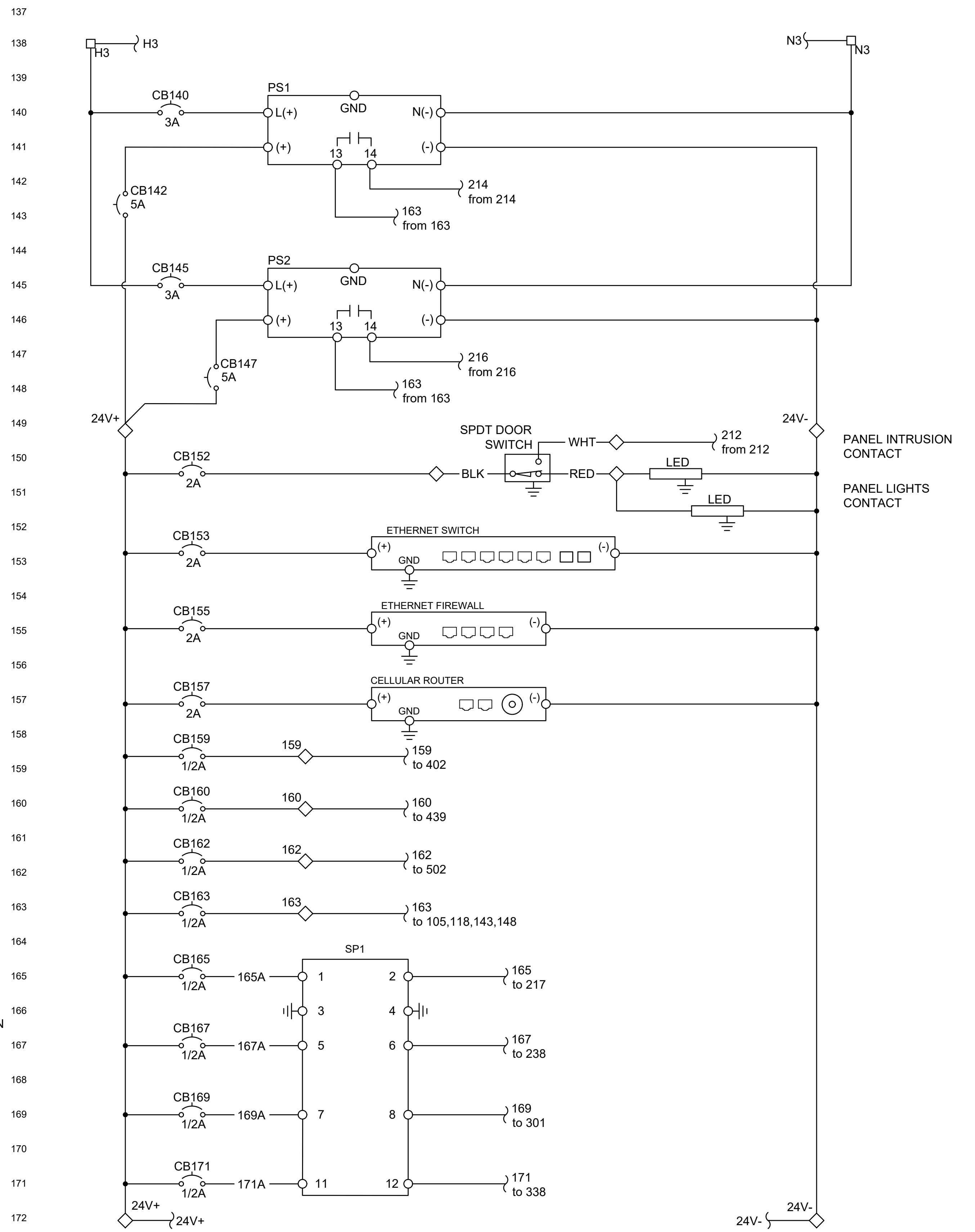
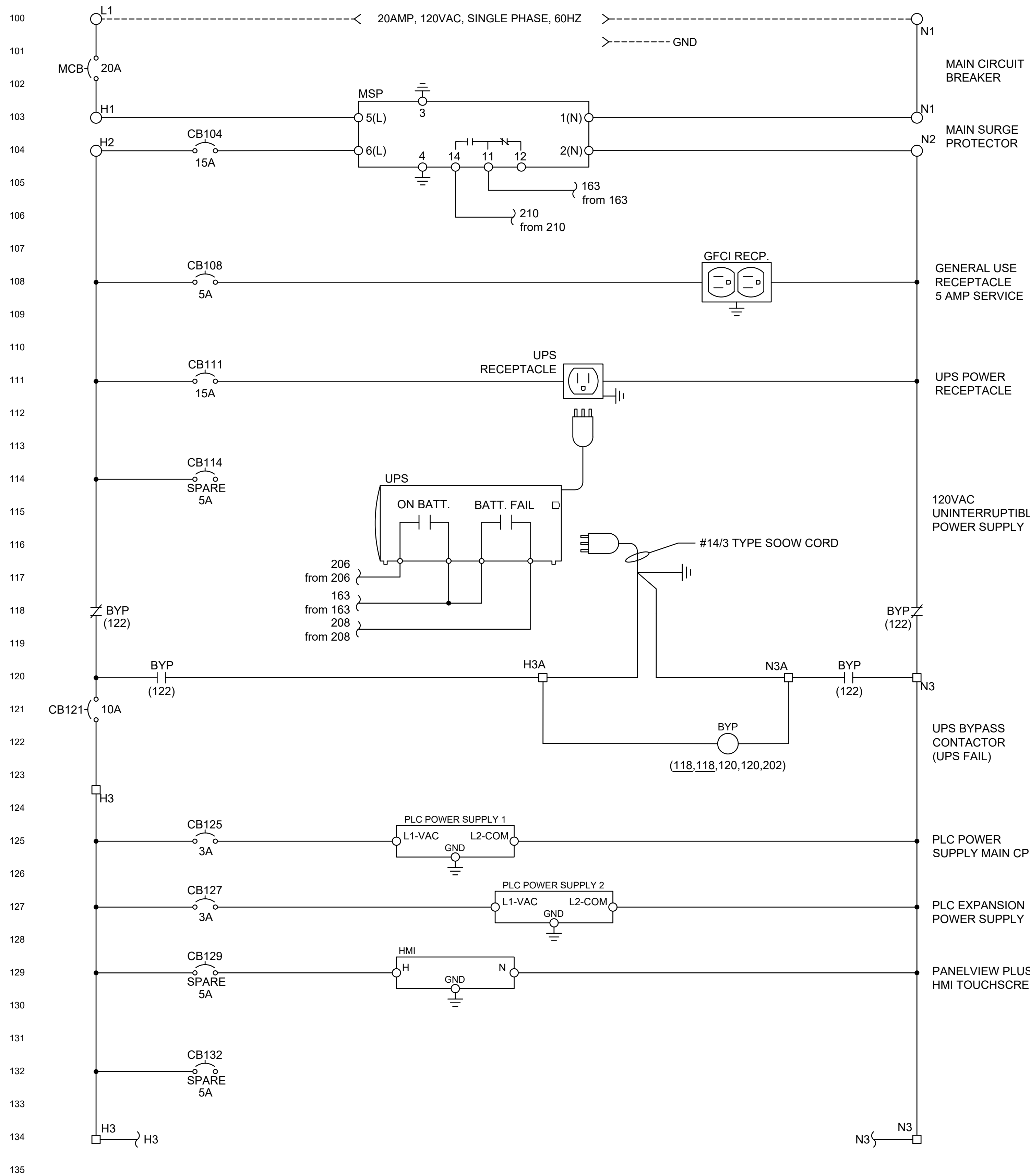


CHARLOTTE COUNTY UTILITIES - REMOTE SITES CONTROL PANEL STANDARDS

RECLAIMED BOOSTER STATION
BACKPANEL DETAIL AND BILL OF MATERIAL

DATE: OCTOBER 2023	SCALE	<div style="border: 1px solid black; padding: 5px; text-align: center;"> E2.3 DRAWING NO. 1 REVISION </div>
MCE PROJ. # 07169-0012	HORIZONTAL:	
DRAWN: CJA	VERTICAL:	
DESIGNED: CJA		
CHECKED: EEB		
PROJ. MGR.: EEB		

STATUS:



REV	DESCRIPTION	DATE
2	REVISED	AUG-2024
1	REVISED	OCT-2023
0	STANDARDS	MAR-2023

REVISIONS

CHARLOTTE COUNTY UTILITIES DEPARTMENT

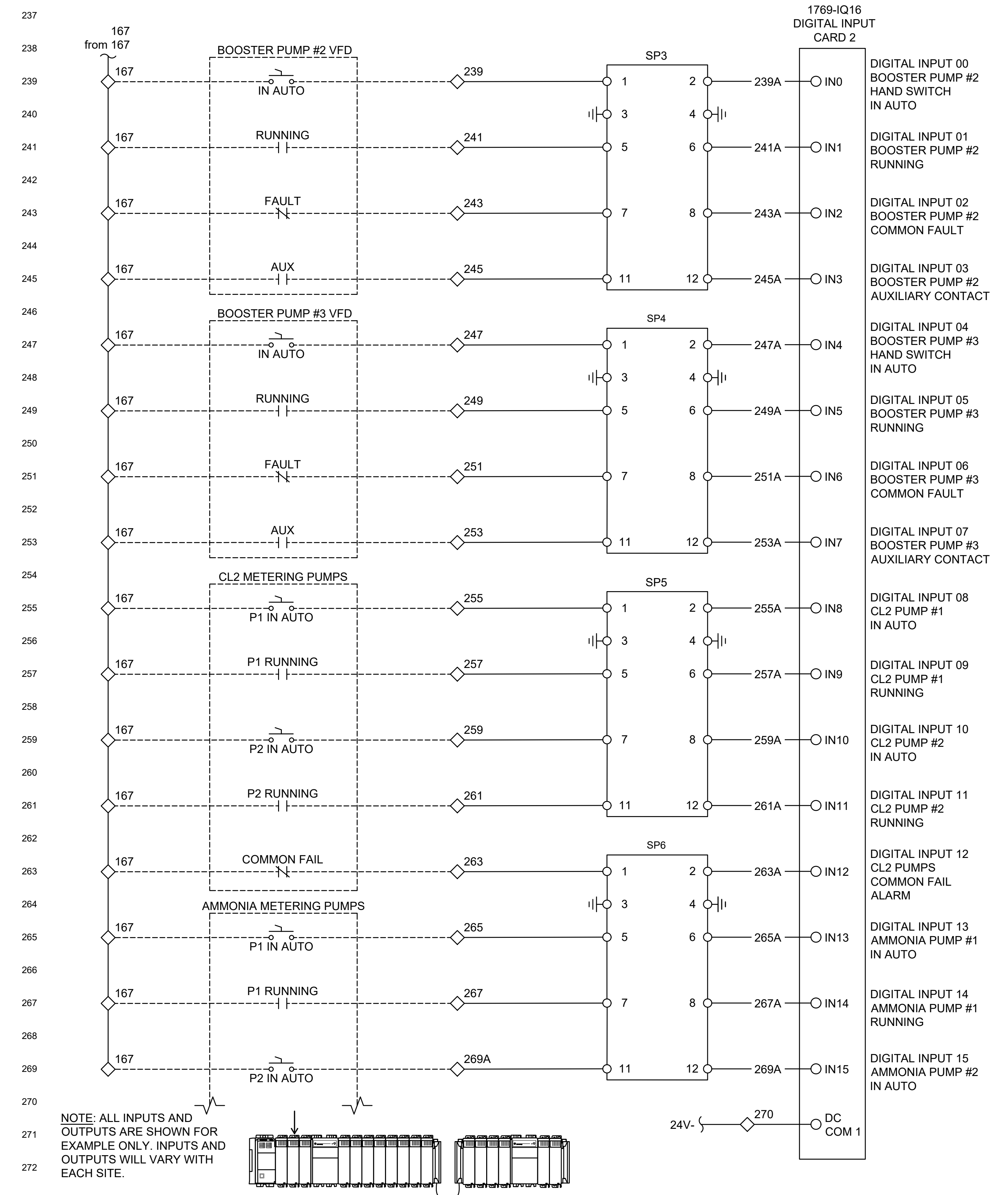
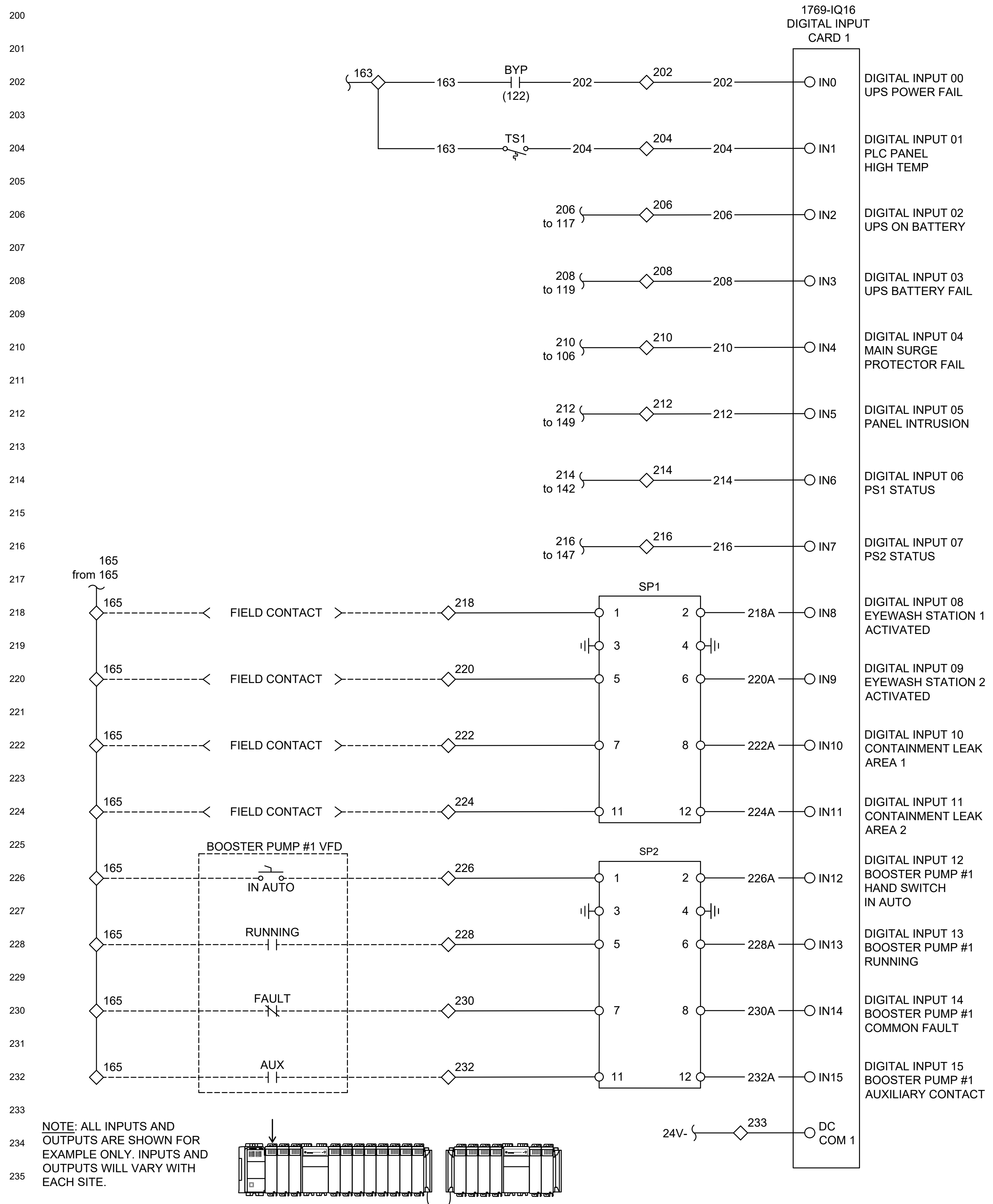
NOTE: PROVIDED FOR INFORMATIONAL PURPOSES ONLY. NO MODIFICATIONS WITHOUT WRITTEN CCU APPROVAL. FOR EACH INSTALLATION A SPECIFIC SET OF CONSTRUCTION DRAWINGS AND SPECIFICATIONS (IF DEEMED NECESSARY BY THE DESIGN ENGINEER) MUST BE PREPARED.



CHARLOTTE COUNTY UTILITIES - REMOTE SITES CONTROL PANEL STANDARDS

RECLAIMED BOOSTER STATION CONTROL POWER WIRING

DATE: OCTOBER 2023	SCALE	<table border="1"> <tr> <td>HORIZONTAL:</td> <td rowspan="5">E2.4</td> </tr> <tr> <td>VERTICAL:</td> </tr> <tr> <td>DRAWN: CJA</td> </tr> <tr> <td>DESIGNED: CJA</td> </tr> <tr> <td>CHECKED: EEB</td> </tr> <tr> <td>PROJ. MGR.: EEB</td> <td>1</td> </tr> <tr> <td>STATUS:</td> <td>REVISION</td> </tr> </table>	HORIZONTAL:	E2.4	VERTICAL:	DRAWN: CJA	DESIGNED: CJA	CHECKED: EEB	PROJ. MGR.: EEB	1	STATUS:	REVISION
HORIZONTAL:	E2.4											
VERTICAL:												
DRAWN: CJA												
DESIGNED: CJA												
CHECKED: EEB												
PROJ. MGR.: EEB	1											
STATUS:	REVISION											
MCE PROJ. # 07169-0012												
DRAWN: CJA												
DESIGNED: CJA												
CHECKED: EEB												
PROJ. MGR.: EEB												



REV	DESCRIPTION	DATE
2	REVISED	AUG-2024
1	REVISED	OCT-2023
0	STANDARDS	MAR-2023

REVISIONS

CHARLOTTE COUNTY UTILITIES DEPARTMENT

NOTE: PROVIDED FOR INFORMATIONAL PURPOSES ONLY. NO MODIFICATIONS WITHOUT WRITTEN CCU APPROVAL. FOR EACH INSTALLATION A SPECIFIC SET OF CONSTRUCTION DRAWINGS AND SPECIFICATIONS (IF DEEMED NECESSARY BY THE DESIGN ENGINEER) MUST BE PREPARED.

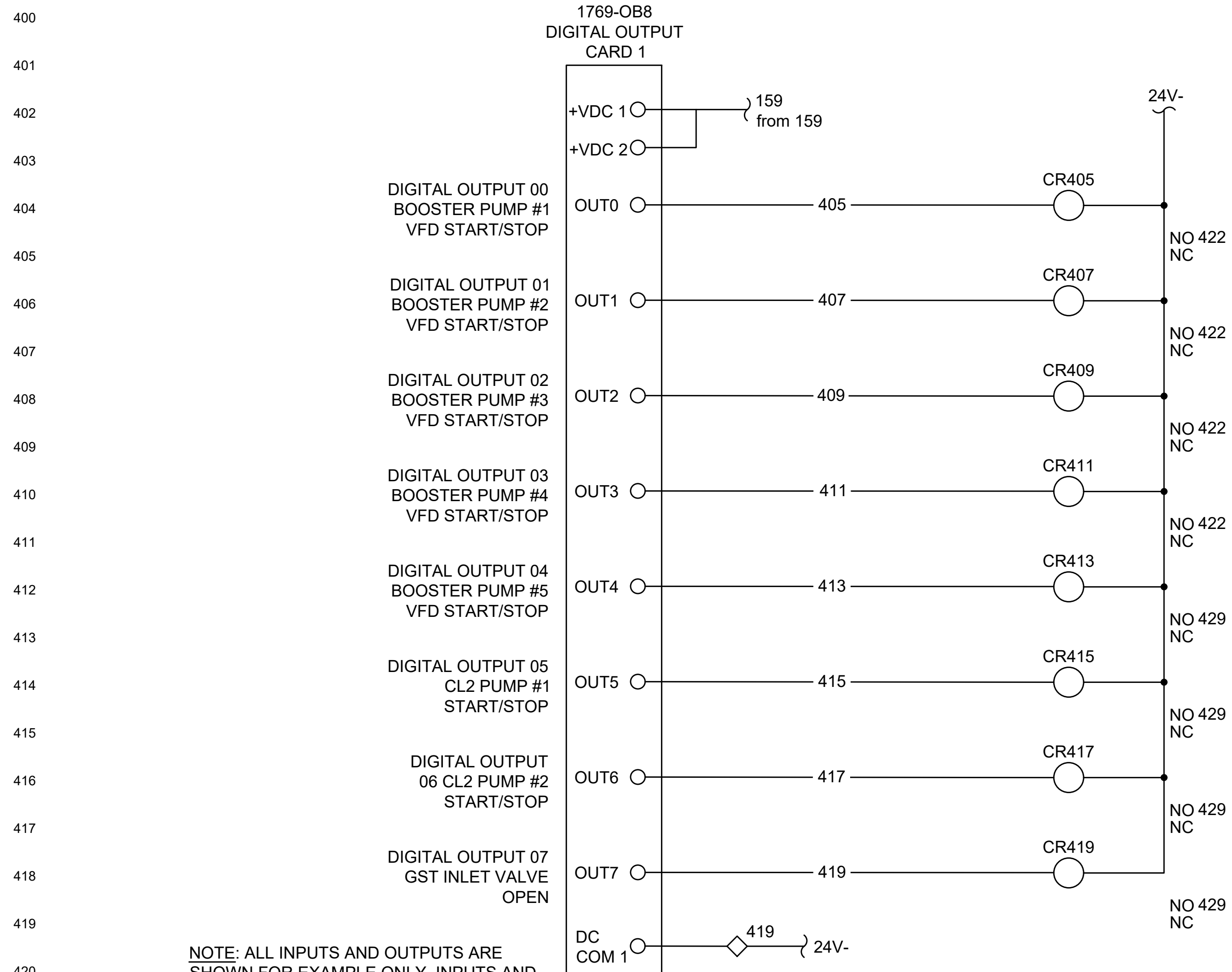


CHARLOTTE COUNTY UTILITIES - REMOTE
SITES CONTROL PANEL STANDARDS

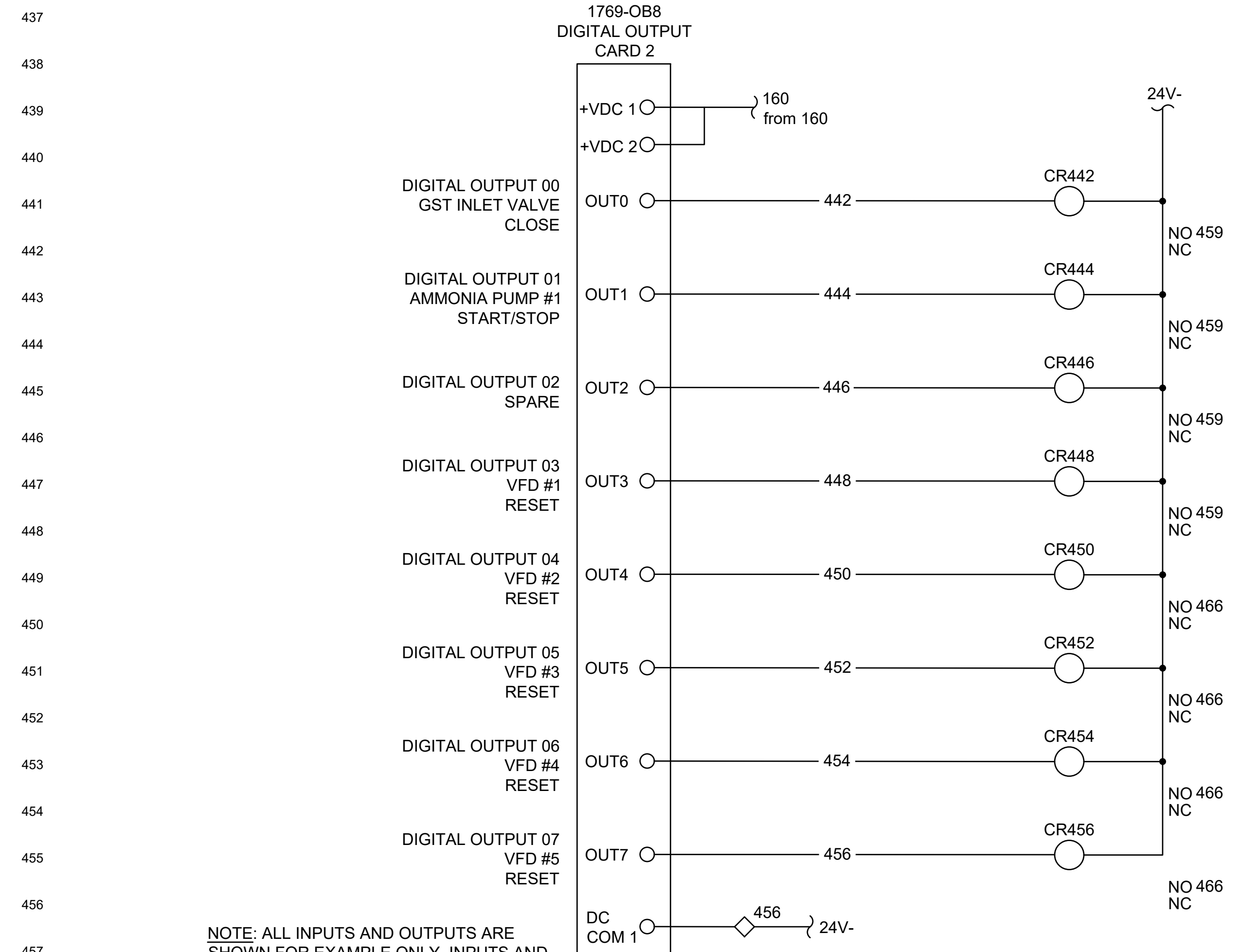
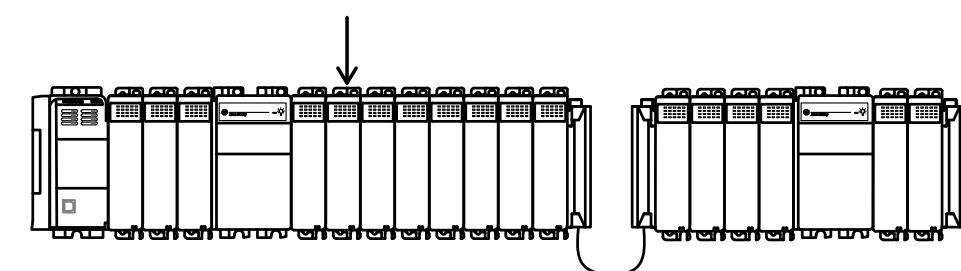
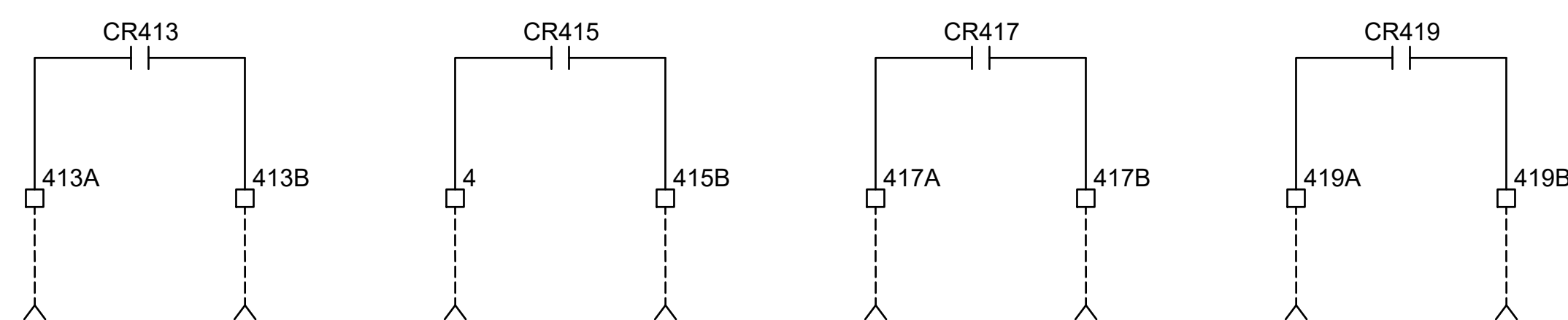
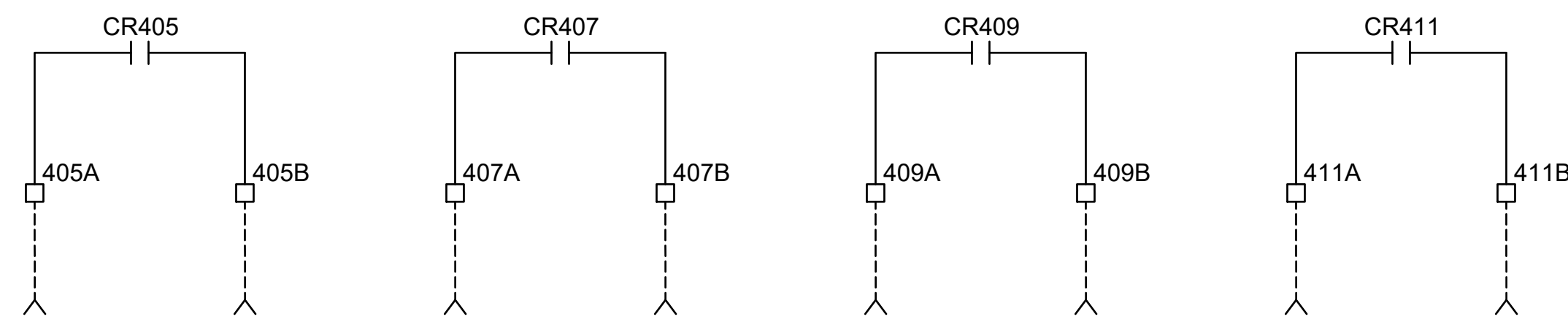
RECLAIMED BOOSTER STATION
DIGITAL INPUTS CARDS 1 & 2

DATE: OCTOBER 2023	SCALE	E2.5 DRAWING NO. 1 REVISION
MCE PROJ. # 07169-0012	HORIZONTAL:	
DRAWN: CJA	VERTICAL:	
DESIGNED: CJA		
CHECKED: EEB		
PROJ. MGR.: EEB		

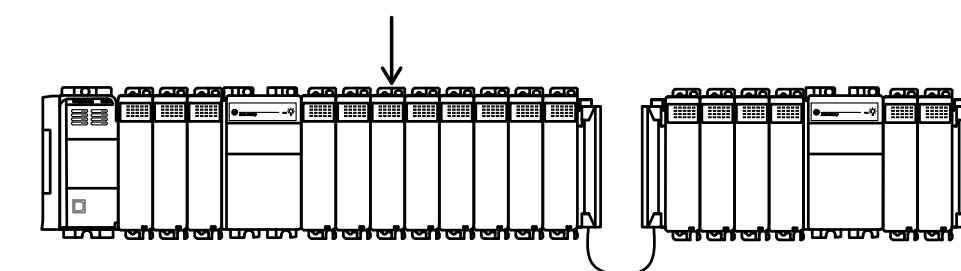
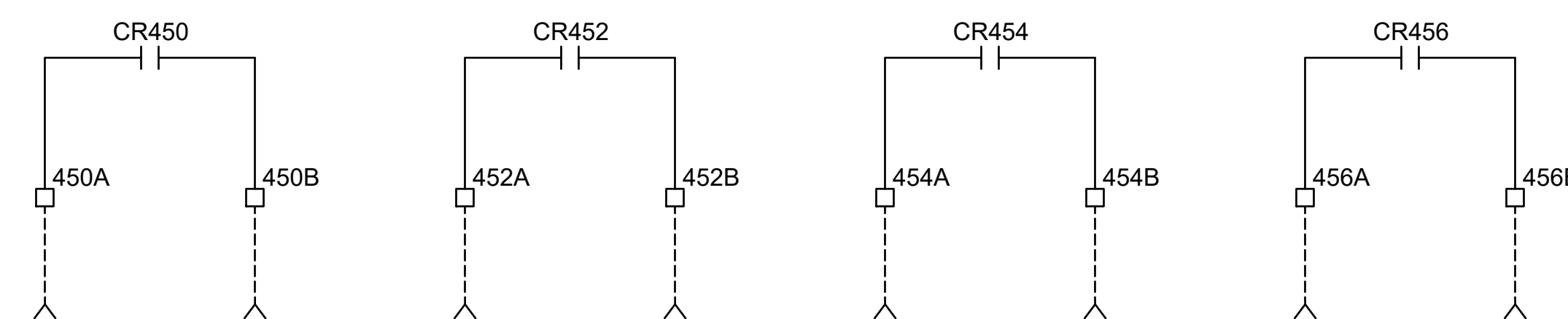
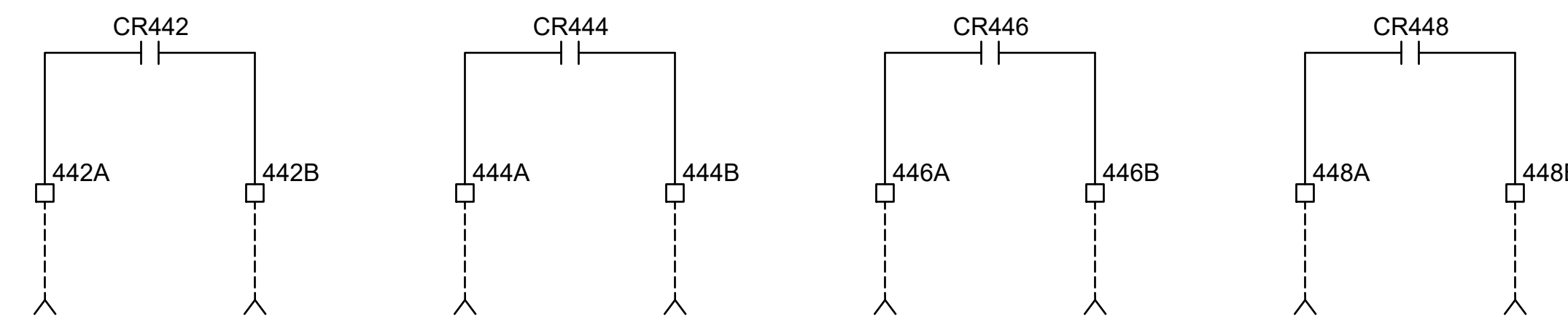
STATUS:



NOTE: ALL INPUTS AND OUTPUTS ARE SHOWN FOR EXAMPLE ONLY. INPUTS AND OUTPUTS WILL VARY WITH EACH SITE.



NOTE: ALL INPUTS AND OUTPUTS ARE SHOWN FOR EXAMPLE ONLY. INPUTS AND OUTPUTS WILL VARY WITH EACH SITE.



REV	DESCRIPTION	DATE
2	REVISED	AUG-2024
1	REVISED	OCT-2023
0	STANDARDS	MAR-2023

REVISIONS

CHARLOTTE COUNTY UTILITIES DEPARTMENT

NOTE: PROVIDED FOR INFORMATIONAL PURPOSES ONLY. NO MODIFICATIONS WITHOUT WRITTEN CCU APPROVAL. FOR EACH INSTALLATION A SPECIFIC SET OF CONSTRUCTION DRAWINGS AND SPECIFICATIONS (IF DEEMED NECESSARY BY THE DESIGN ENGINEER) MUST BE PREPARED.

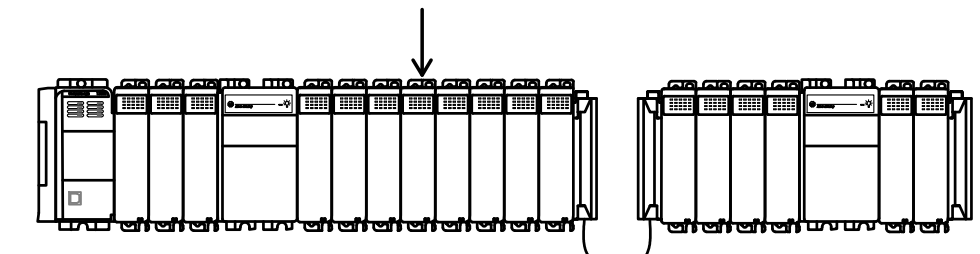
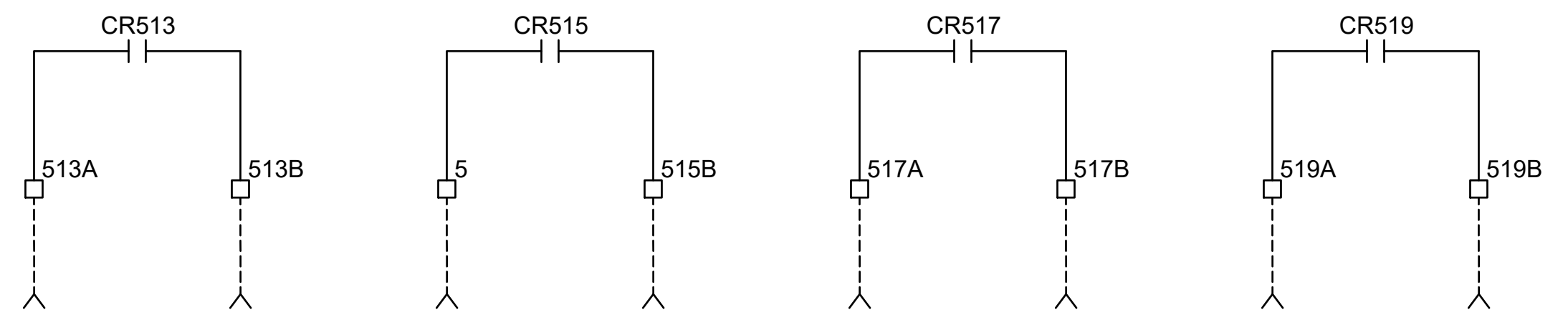
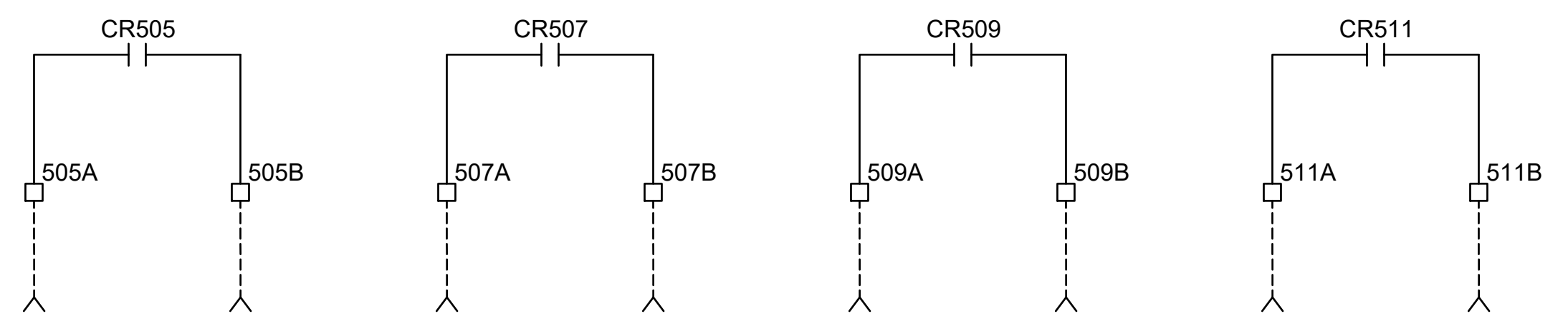
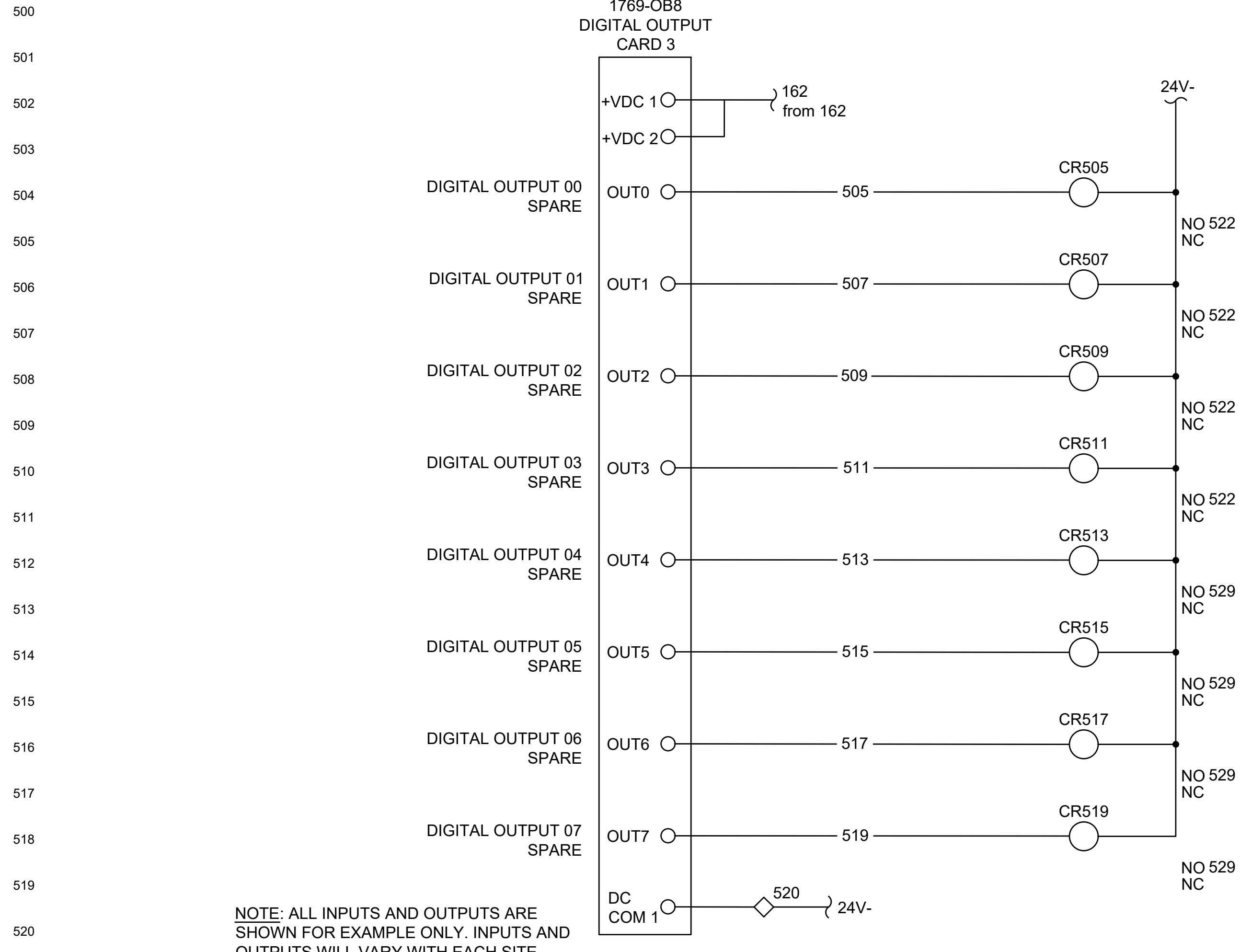


CHARLOTTE COUNTY UTILITIES - REMOTE SITES CONTROL PANEL STANDARDS

RECLAIMED BOOSTER STATION
DIGITAL OUTPUTS CARDS 1 & 2

DATE: OCTOBER 2023	SCALE
MCE PROJ. # 07169-0012	HORIZONTAL: E2.7
DRAWN: CJA	VERTICAL: 1
DESIGNED: CJA	REVISION
CHECKED: EEB	
PROJ. MGR.: EEB	

STATUS:



REV	DESCRIPTION	DATE
2	REVISED	AUG-2024
1	REVISED	OCT-2023
0	STANDARDS	MAR-2023

REVISIONS

CHARLOTTE COUNTY UTILITIES DEPARTMENT

NOTE: PROVIDED FOR INFORMATIONAL PURPOSES ONLY. NO MODIFICATIONS WITHOUT WRITTEN CCU APPROVAL. FOR EACH INSTALLATION A SPECIFIC SET OF CONSTRUCTION DRAWINGS AND SPECIFICATIONS (IF DEEMED NECESSARY BY THE DESIGN ENGINEER) MUST BE PREPARED.



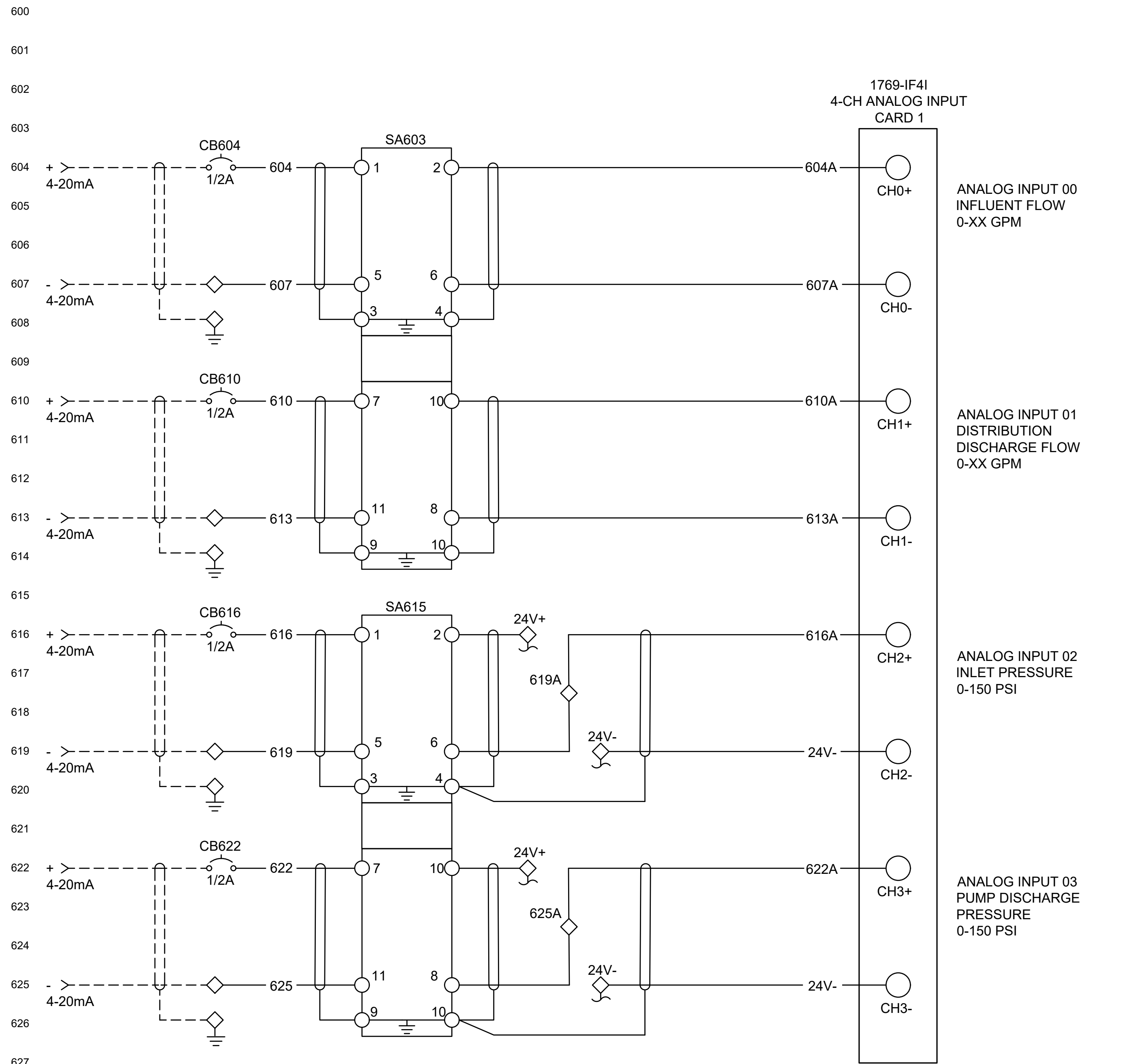
CHARLOTTE COUNTY UTILITIES - REMOTE
SITES CONTROL PANEL STANDARDS

RECLAIMED BOOSTER STATION
DIGITAL OUTPUTS CARD 3

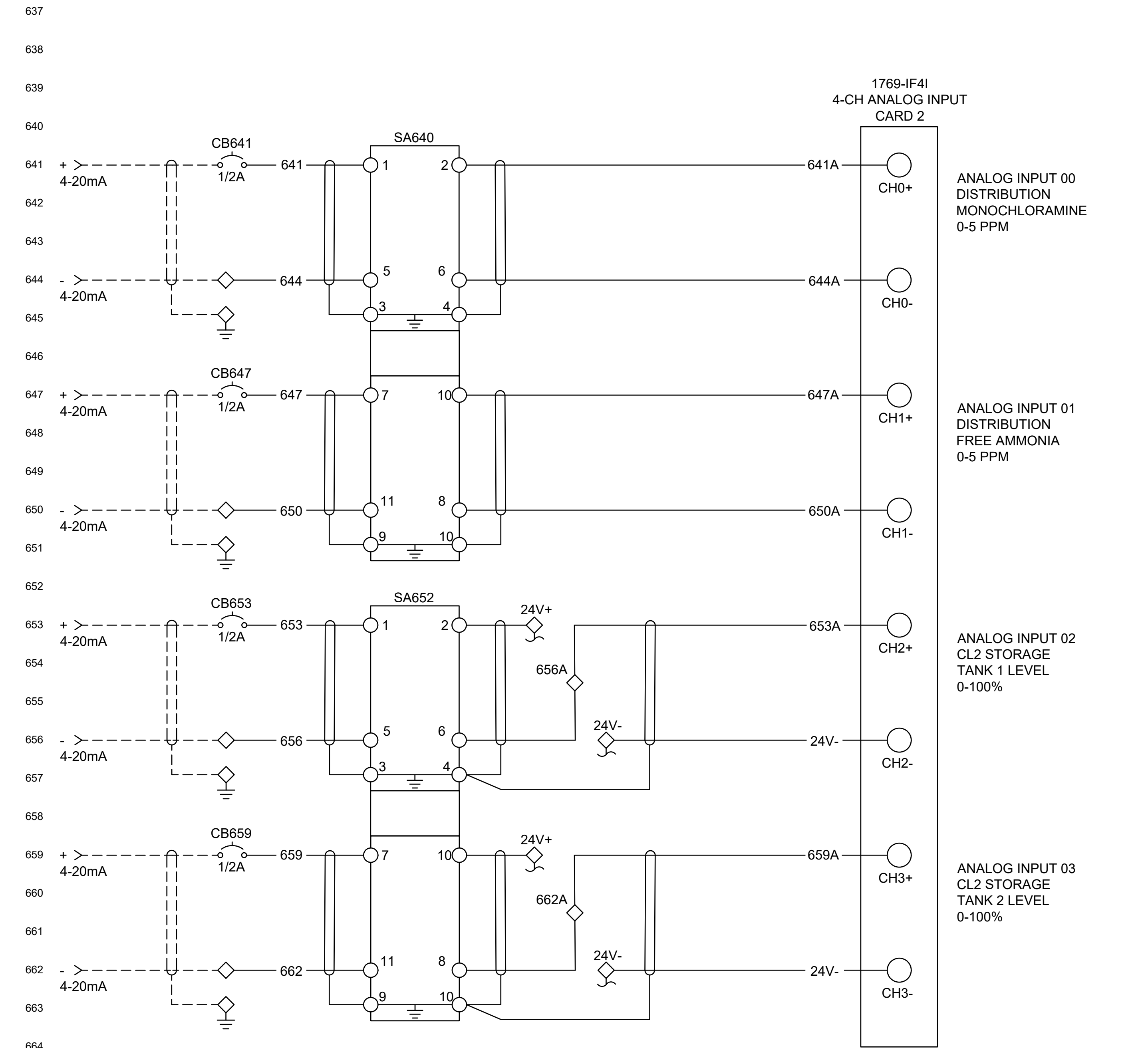
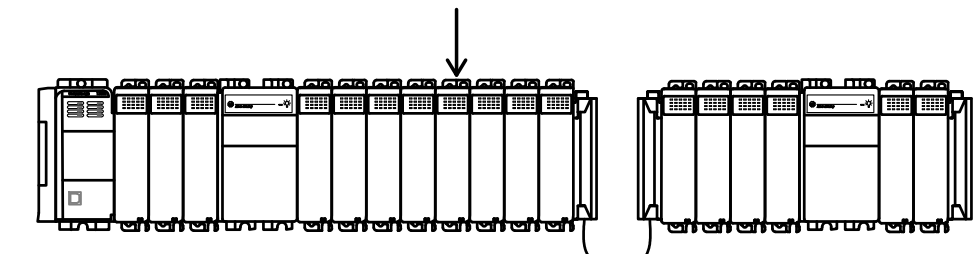
DATE: OCTOBER 2023	SCALE
MCE PROJ. # 07169-0012	HORIZONTAL:
DRAWN: CJA	VERTICAL:
DESIGNED: CJA	
CHECKED: EEB	
PROJ. MGR.: EEB	

STATUS:

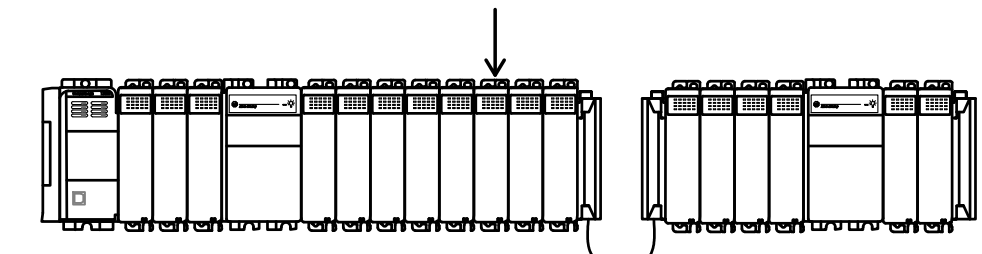
E2.8	DRAWING NO.
	1
REVISION	



NOTE: ALL INPUTS AND OUTPUTS ARE SHOWN FOR EXAMPLE ONLY. INPUTS AND OUTPUTS WILL VARY WITH EACH SITE.



NOTE: ALL INPUTS AND OUTPUTS ARE SHOWN FOR EXAMPLE ONLY. INPUTS AND OUTPUTS WILL VARY WITH EACH SITE.



REV	DESCRIPTION	DATE
2	REVISED	AUG-2024
1	REVISED	OCT-2023
0	STANDARDS	MAR-2023

REVISIONS

CHARLOTTE COUNTY UTILITIES DEPARTMENT

NOTE: PROVIDED FOR INFORMATIONAL PURPOSES ONLY. NO MODIFICATIONS WITHOUT WRITTEN CCU APPROVAL. FOR EACH INSTALLATION A SPECIFIC SET OF CONSTRUCTION DRAWINGS AND SPECIFICATIONS (IF DEEMED NECESSARY BY THE DESIGN ENGINEER) MUST BE PREPARED.

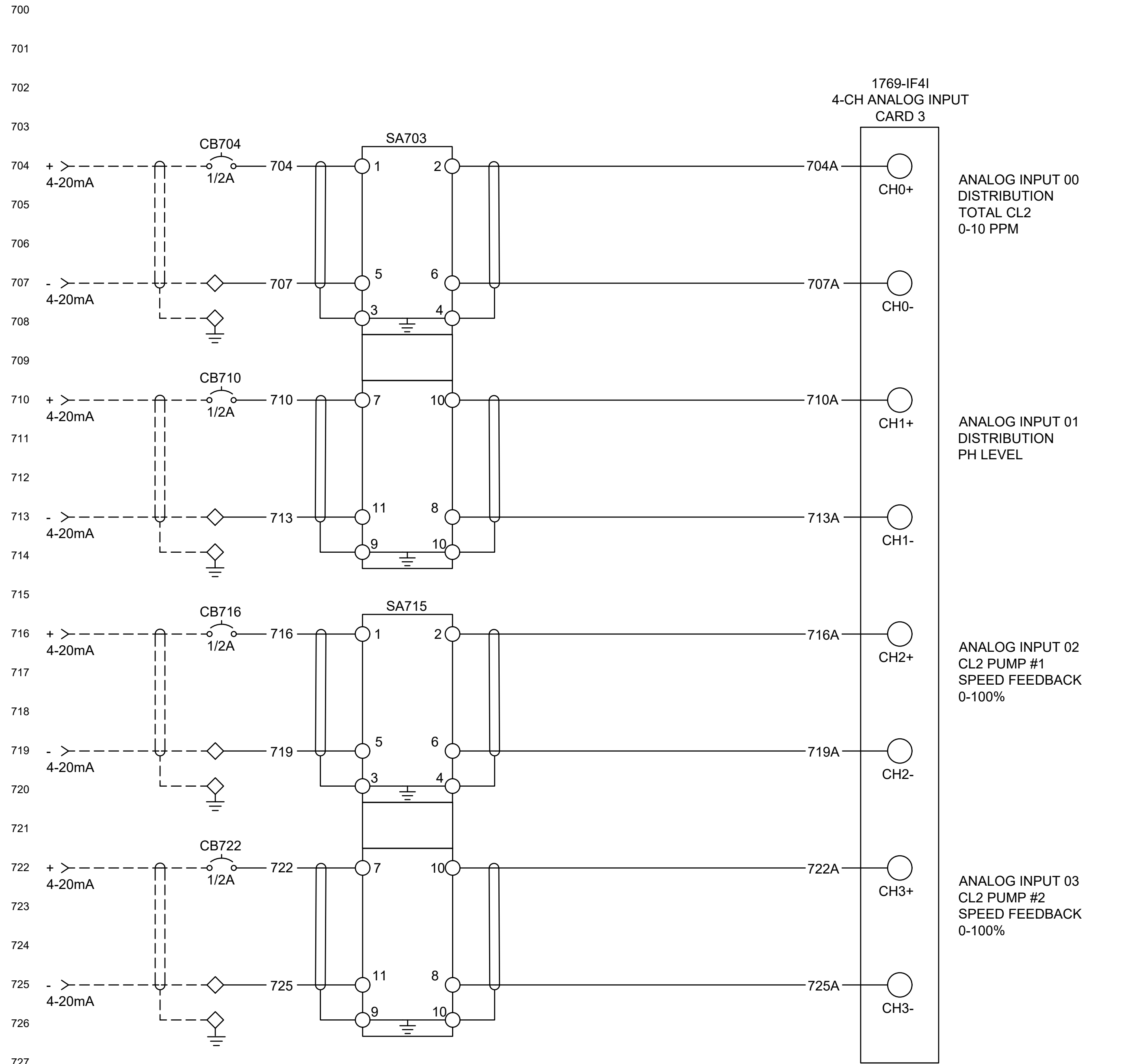


CHARLOTTE COUNTY UTILITIES - REMOTE SITES CONTROL PANEL STANDARDS

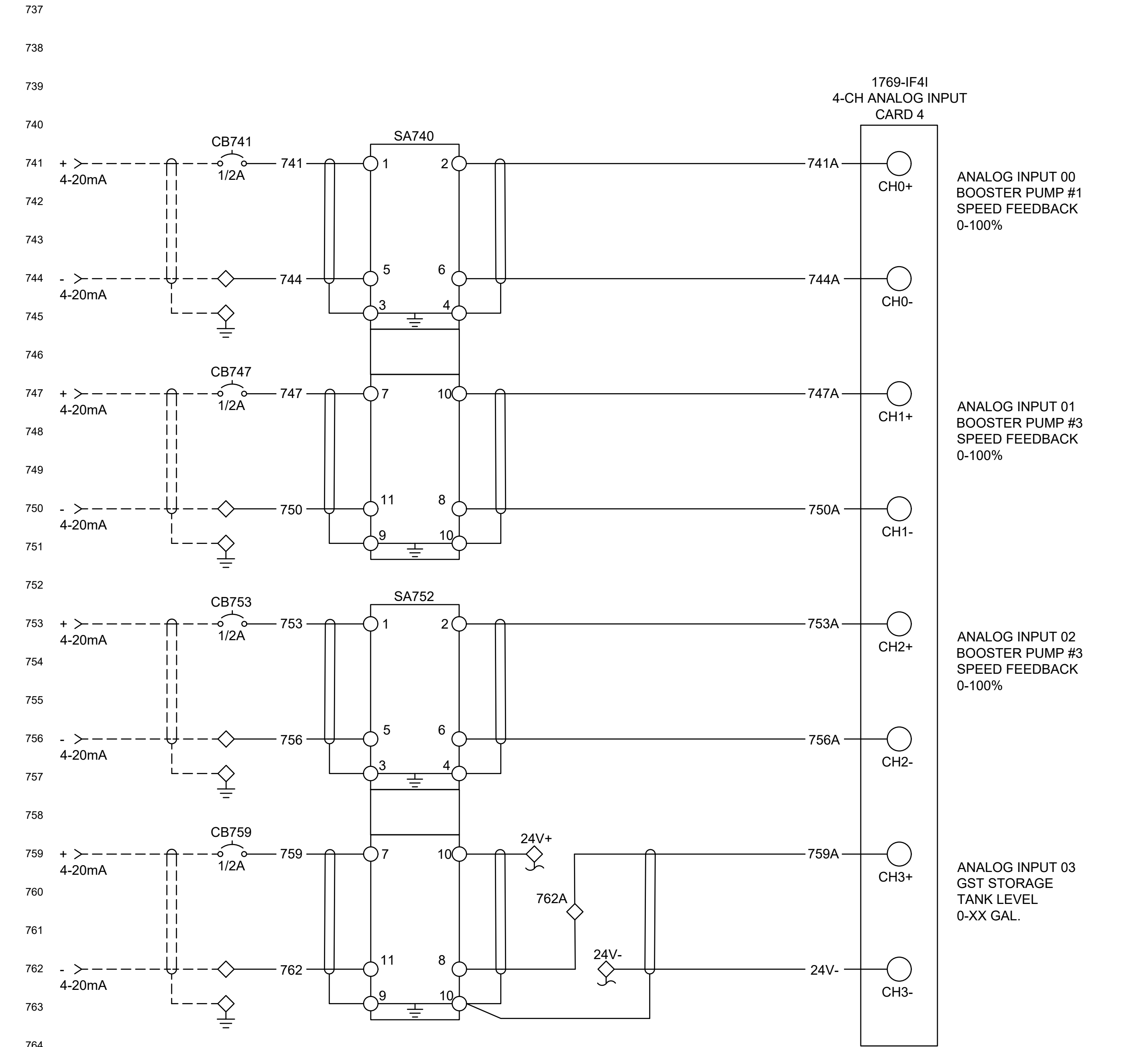
RECLAIMED BOOSTER STATION
ANALOG INPUTS CARDS 1 & 2

DATE: OCTOBER 2023	SCALE	E2.9 DRAWING NO.
MCE PROJ. # 07169-0012	HORIZONTAL:	
DRAWN: CJA	VERTICAL:	1 REVISION
DESIGNED: CJA		
CHECKED: EEB		
PROJ. MGR.: EEB		

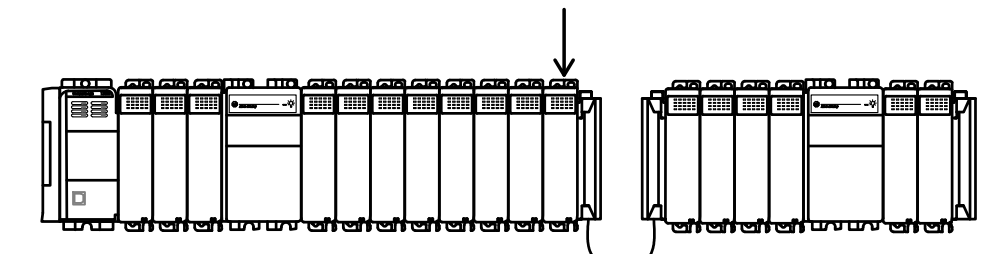
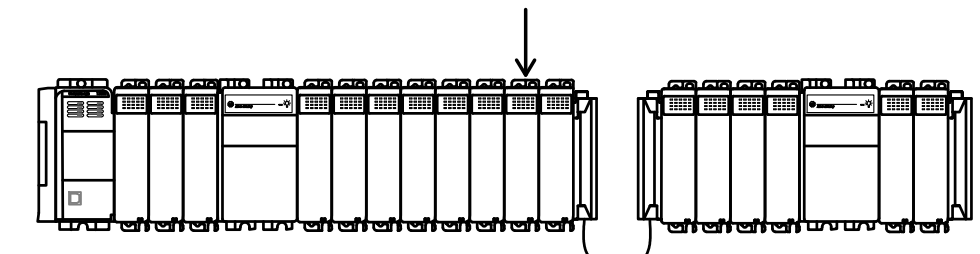
STATUS:



NOTE: ALL INPUTS AND OUTPUTS ARE SHOWN FOR EXAMPLE ONLY. INPUTS AND OUTPUTS WILL VARY WITH EACH SITE.



NOTE: ALL INPUTS AND OUTPUTS ARE SHOWN FOR EXAMPLE ONLY. INPUTS AND OUTPUTS WILL VARY WITH EACH SITE.



REV	DESCRIPTION	DATE
2	REVISED	AUG-2024
1	REVISED	OCT-2023
0	STANDARDS	MAR-2023

REVISIONS

CHARLOTTE COUNTY UTILITIES DEPARTMENT

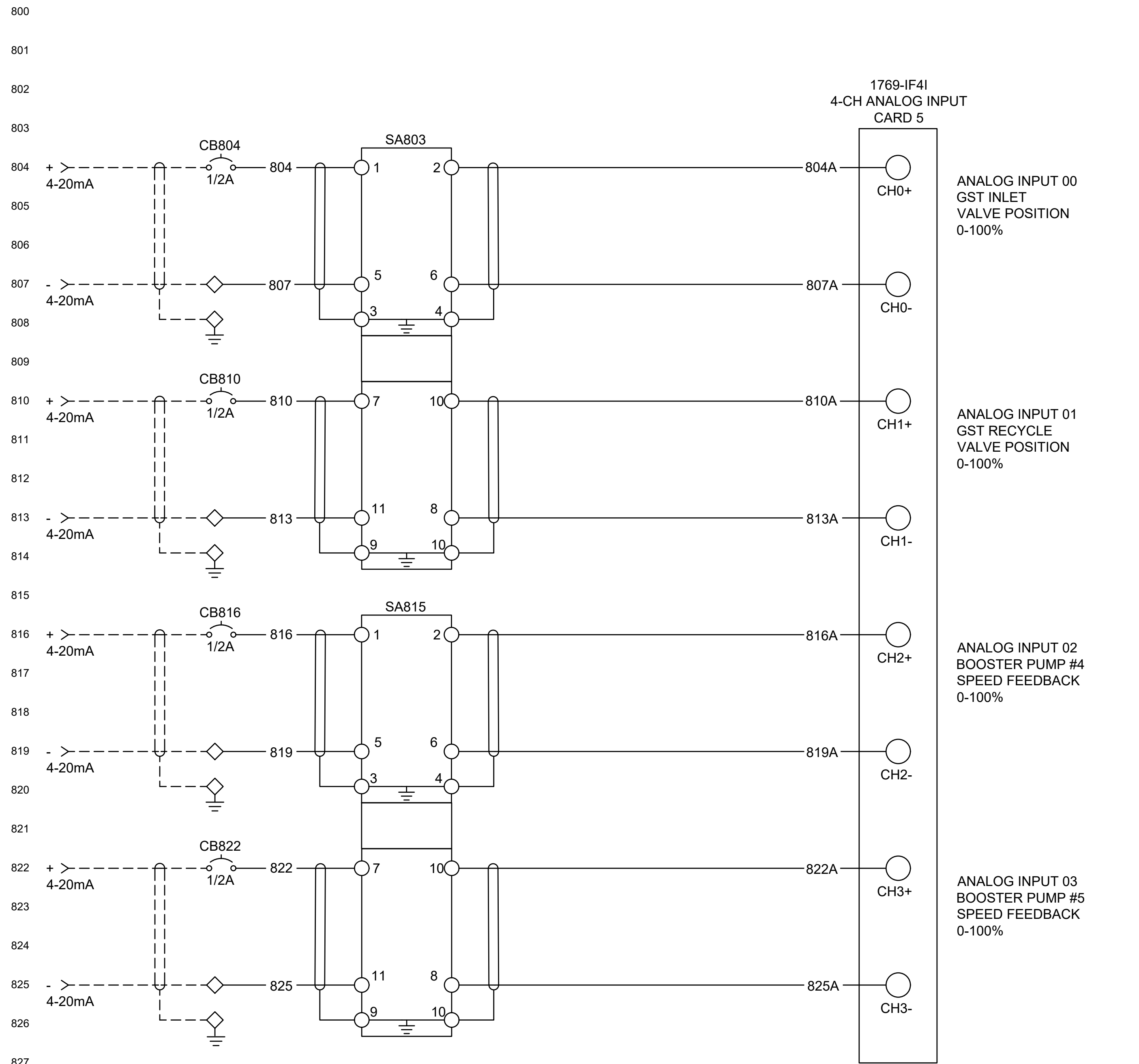
NOTE: PROVIDED FOR INFORMATIONAL PURPOSES ONLY. NO MODIFICATIONS WITHOUT WRITTEN CCU APPROVAL. FOR EACH INSTALLATION A SPECIFIC SET OF CONSTRUCTION DRAWINGS AND SPECIFICATIONS (IF DEEMED NECESSARY BY THE DESIGN ENGINEER) MUST BE PREPARED.



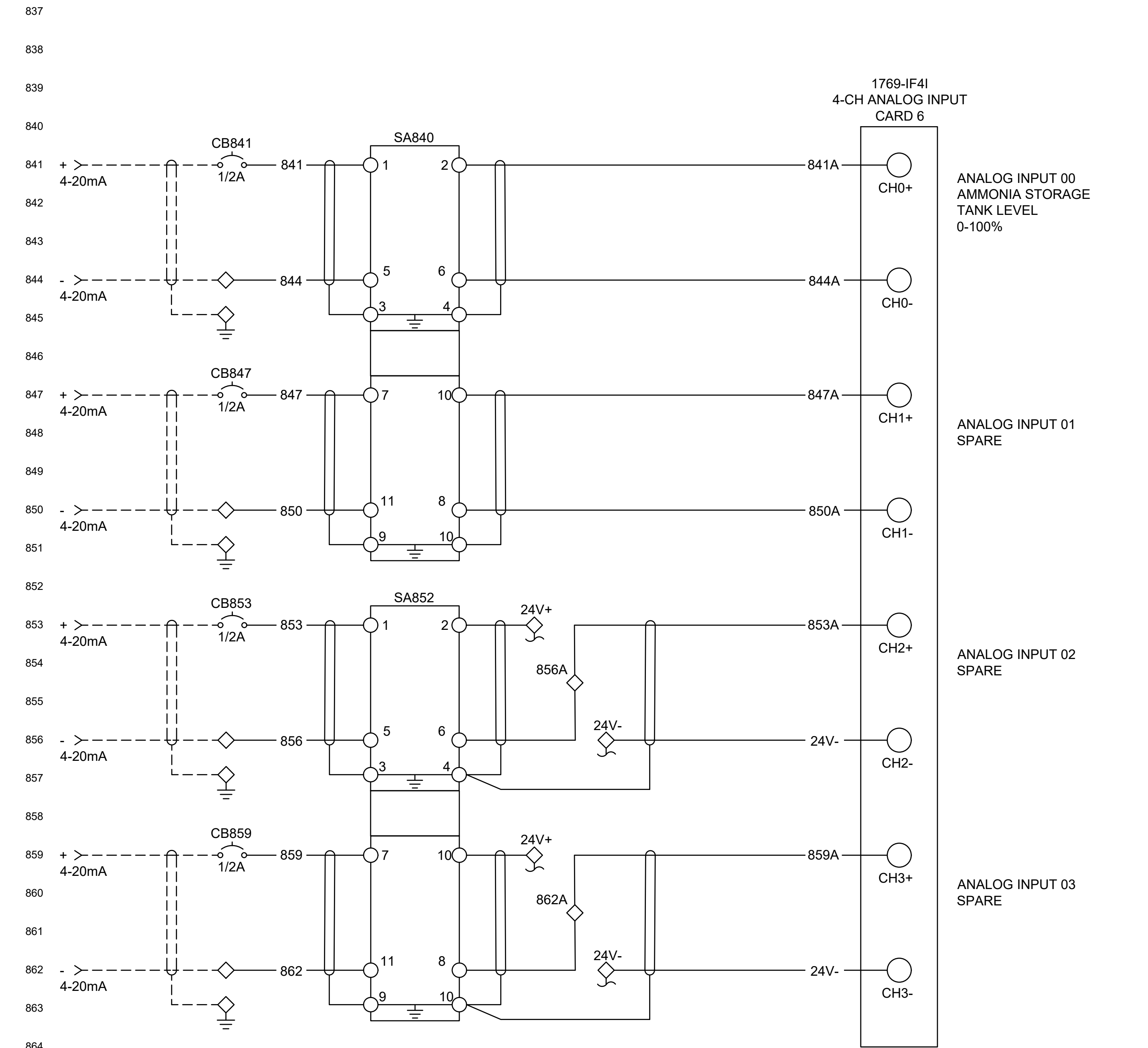
CHARLOTTE COUNTY UTILITIES - REMOTE
SITES CONTROL PANEL STANDARDS

RECLAIMED BOOSTER STATION
ANALOG INPUTS CARDS 3 & 4

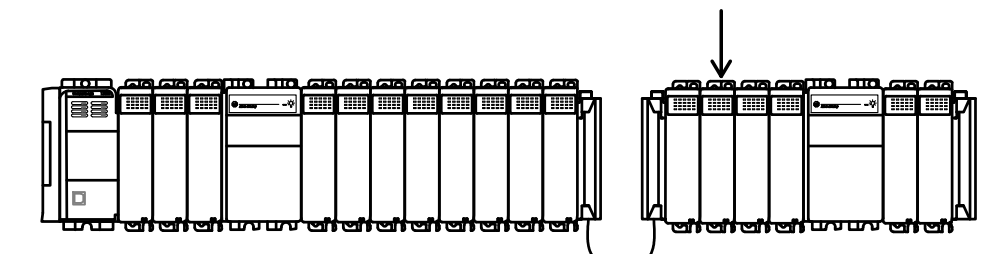
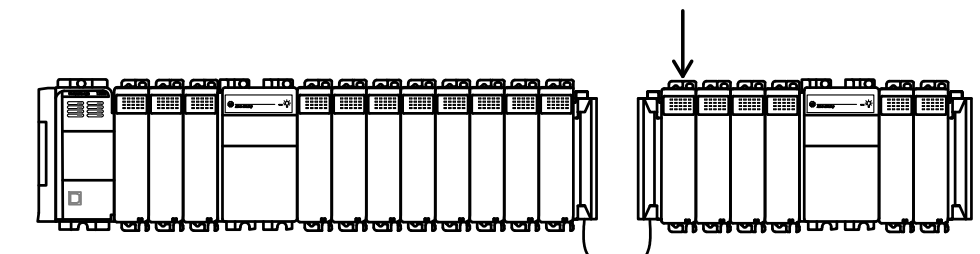
DATE: OCTOBER 2023	SCALE	E2.10 DRAWING NO. 1 REVISION
MCE PROJ. # 07169-0012	HORIZONTAL:	
DRAWN: CJA	VERTICAL:	
DESIGNED: CJA		
CHECKED: EEB		
PROJ. MGR.: EEB		
STATUS:		



NOTE: ALL INPUTS AND OUTPUTS ARE SHOWN FOR EXAMPLE ONLY. INPUTS AND OUTPUTS WILL VARY WITH EACH SITE.



NOTE: ALL INPUTS AND OUTPUTS ARE SHOWN FOR EXAMPLE ONLY. INPUTS AND OUTPUTS WILL VARY WITH EACH SITE.



REV	DESCRIPTION	DATE
2	REVISED	AUG-2024
1	REVISED	OCT-2023
0	STANDARDS	MAR-2023

REVISIONS

CHARLOTTE COUNTY UTILITIES DEPARTMENT

NOTE: PROVIDED FOR INFORMATIONAL PURPOSES ONLY. NO MODIFICATIONS WITHOUT WRITTEN CCU APPROVAL. FOR EACH INSTALLATION A SPECIFIC SET OF CONSTRUCTION DRAWINGS AND SPECIFICATIONS (IF DEEMED NECESSARY BY THE DESIGN ENGINEER) MUST BE PREPARED.

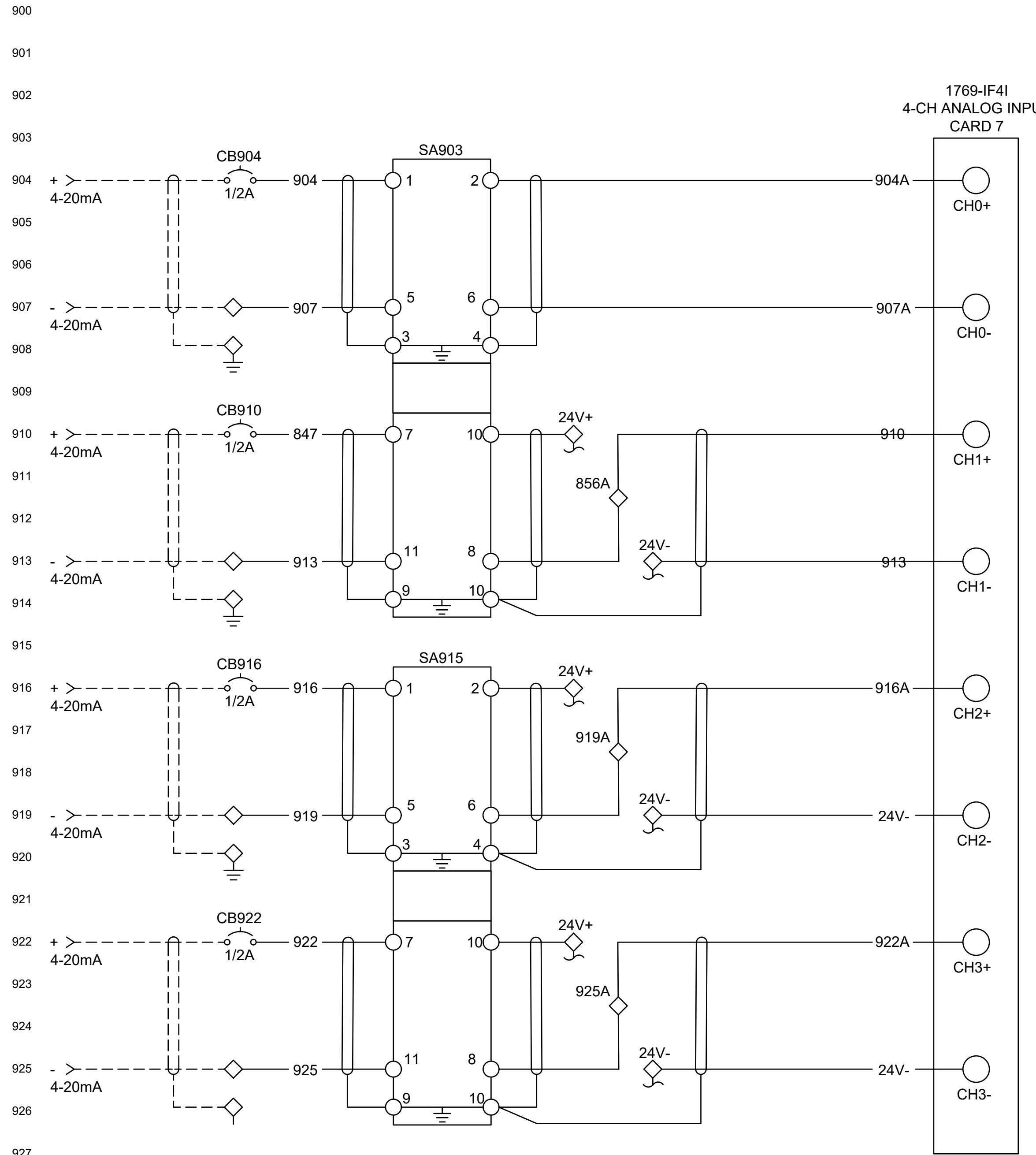


CHARLOTTE COUNTY UTILITIES - REMOTE SITES CONTROL PANEL STANDARDS

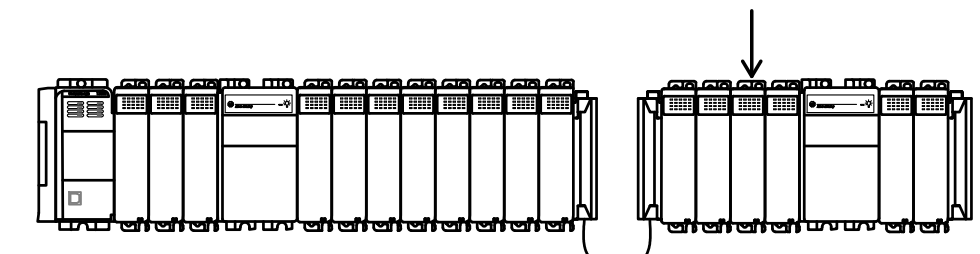
RECLAIMED BOOSTER STATION
ANALOG INPUTS CARDS 5 & 6

DATE: OCTOBER 2023	SCALE	E2.11 DRAWING NO. 1 REVISION
MCE PROJ. # 07169-0012	HORIZONTAL:	
DRAWN: CJA	VERTICAL:	
DESIGNED: CJA		
CHECKED: EEB		
PROJ. MGR. EEB		

STATUS:



NOTE: ALL INPUTS AND OUTPUTS ARE SHOWN FOR EXAMPLE ONLY. INPUTS AND OUTPUTS WILL VARY WITH EACH SITE.



REV	DESCRIPTION	DATE
2	REVISED	AUG-2024
1	REVISED	OCT-2023
0	STANDARDS	MAR-2023

REVISIONS

CHARLOTTE COUNTY UTILITIES DEPARTMENT

NOTE: PROVIDED FOR INFORMATIONAL PURPOSES ONLY. NO MODIFICATIONS WITHOUT WRITTEN CCU APPROVAL. FOR EACH INSTALLATION A SPECIFIC SET OF CONSTRUCTION DRAWINGS AND SPECIFICATIONS (IF DEEMED NECESSARY BY THE DESIGN ENGINEER) MUST BE PREPARED.



CHARLOTTE COUNTY UTILITIES - REMOTE SITES CONTROL PANEL STANDARDS

RECLAIMED BOOSTER STATION
ANALOG INPUTS CARD 7

DATE: OCTOBER 2023	SCALE
MCE PROJ. # 07169-0012	HORIZONTAL:
DRAWN: CJA	VERTICAL:
DESIGNED: CJA	
CHECKED: EEB	
PROJ. MGR.: EEB	

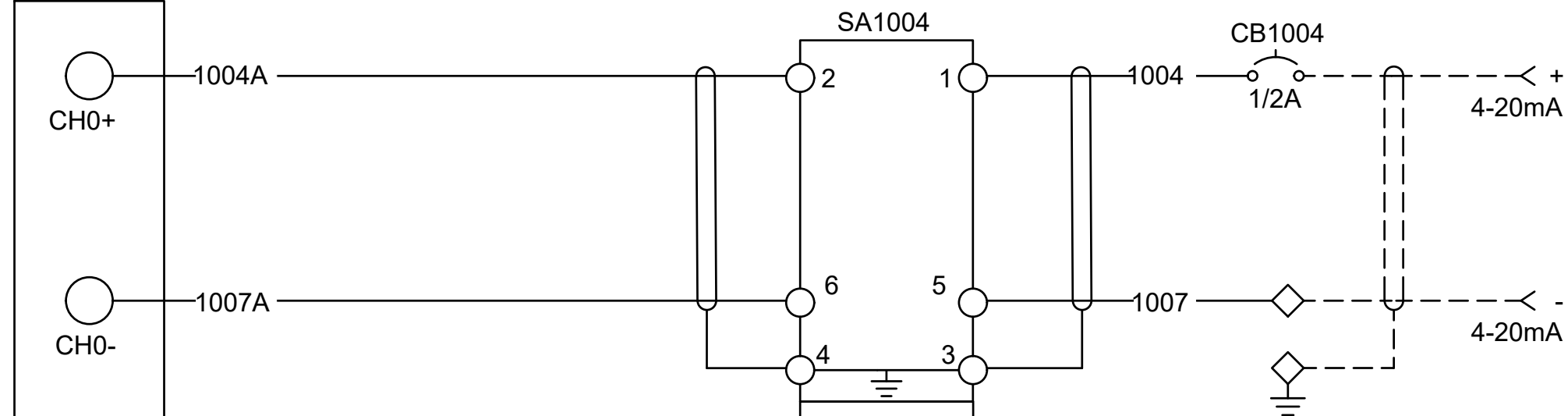
E2.12
1
REVISION

STATUS:

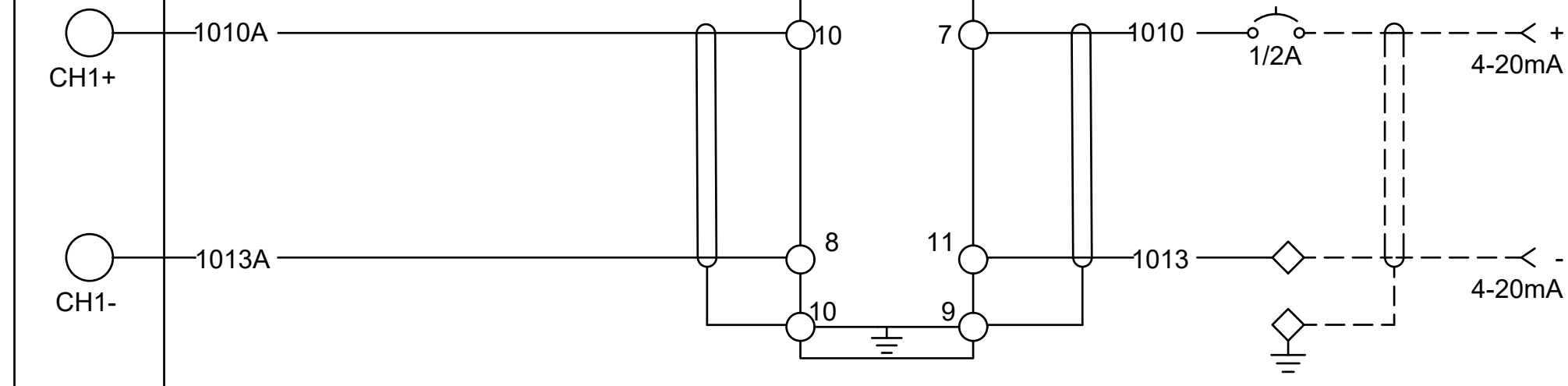
1000
1001
1002
1003
1004
1005
1006
1007
1008
1009
1010
1011
1012
1013
1014
1015
1016
1017
1018
1019
1020
1021
1022
1023
1024
1025
1026
1027
1028
1029
1030
1031
1032
1033
1034
1035

1769-OF4CI
8-CH ANALOG OUTPUT
CARD 1

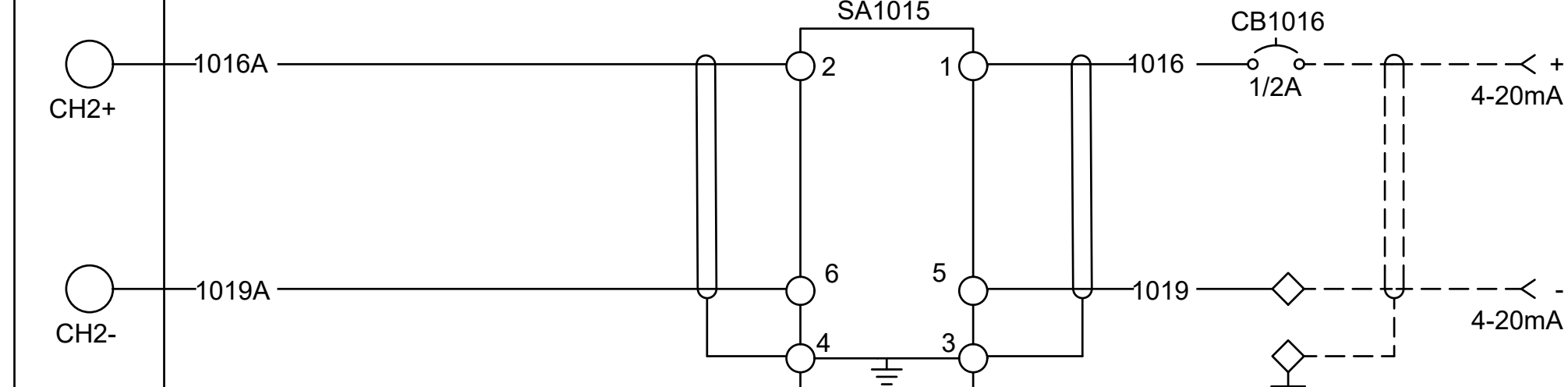
ANALOG OUTPUT 00
HS-3-A BOOSTER PUMP
W-101



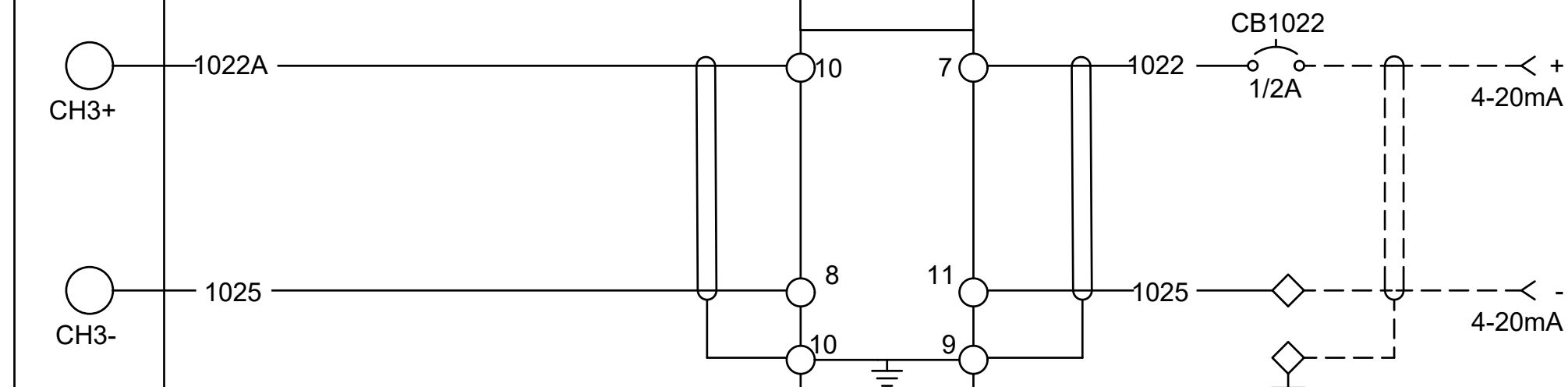
ANALOG OUTPUT 01
HS-3-A BOOSTER PUMP
W-102



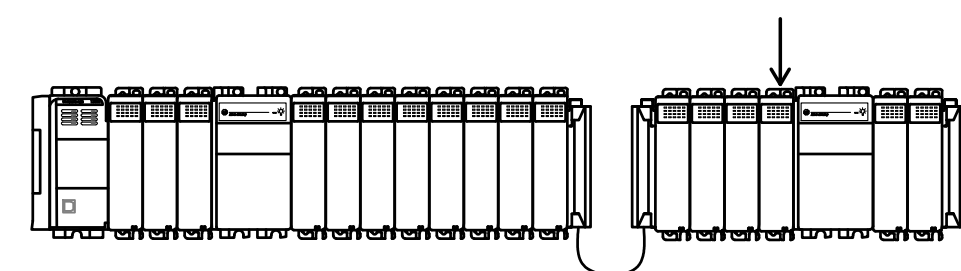
ANALOG OUTPUT 02
HS-5 BOOSTER PUMP
W-103



ANALOG OUTPUT 03
HS-6 NAOCL SYSTEM
PUMP W-301



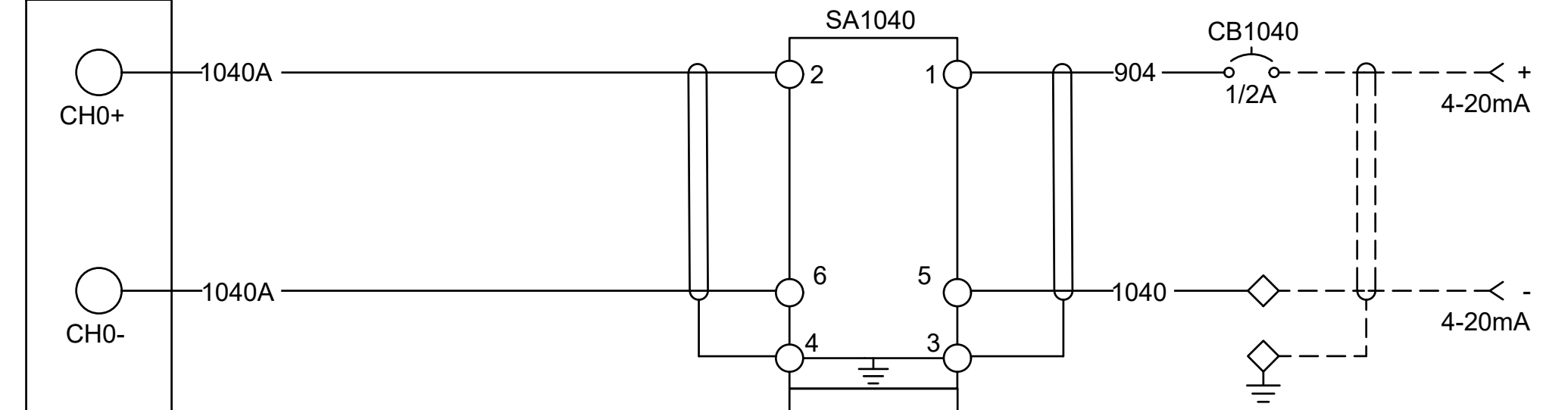
NOTE: ALL INPUTS AND OUTPUTS ARE SHOWN FOR EXAMPLE ONLY. INPUTS AND OUTPUTS WILL VARY WITH EACH SITE.



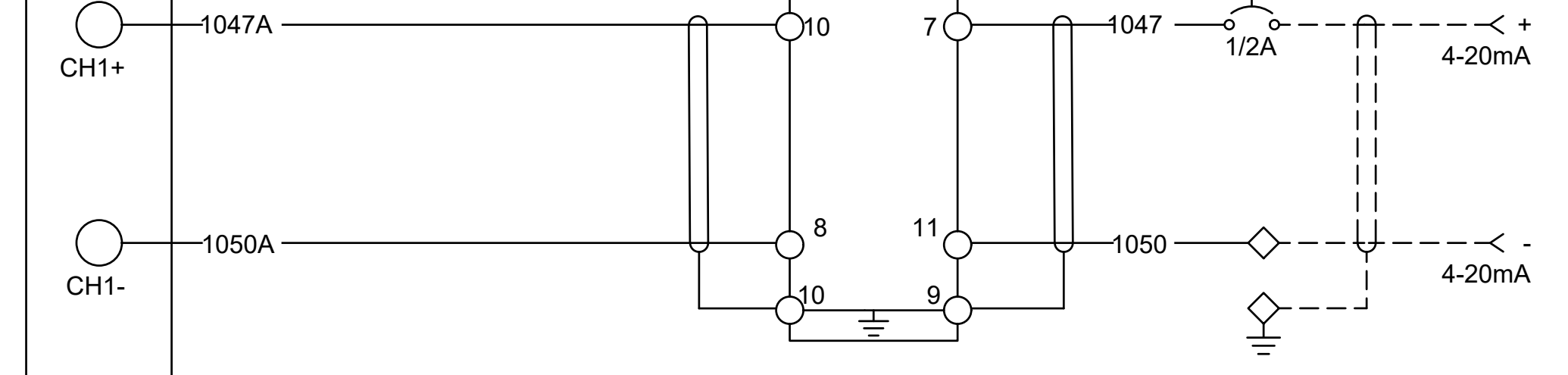
1037
1038
1039
1040
1041
1042
1043
1044
1045
1046
1047
1048
1049
1050
1051
1052
1053
1054
1055
1056
1057
1058
1059
1060
1061
1062
1063
1064
1065
1066
1067
1068
1069
1070
1071
1072

1769-OF4CI
8-CH ANALOG OUTPUT
CARD 2

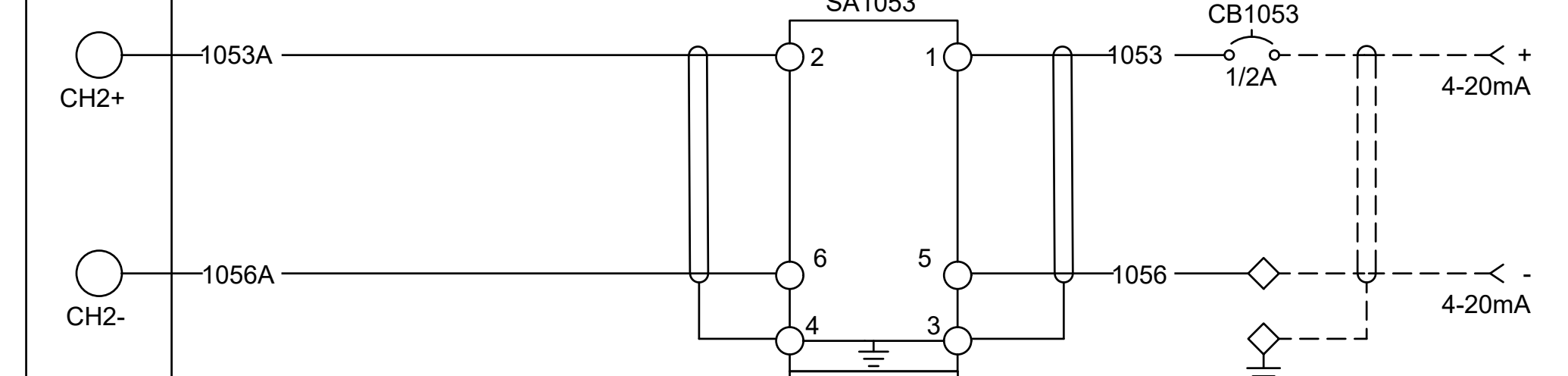
ANALOG OUTPUT 00
HS-9 NAOCL SYSTEM
PUMP W-302



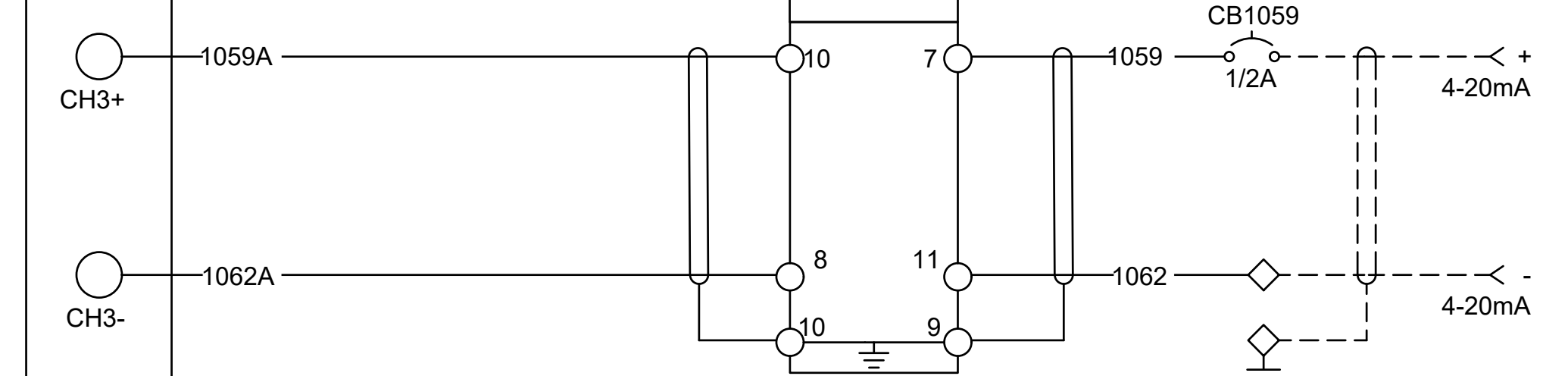
ANALOG OUTPUT 01
HSP4



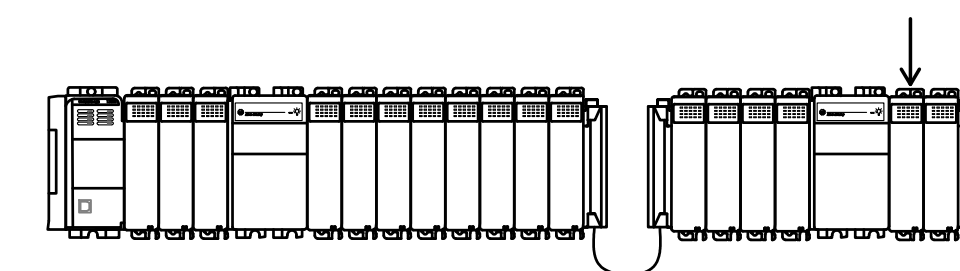
ANALOG OUTPUT 02
HSP5



ANALOG OUTPUT 03
HS-14 AQUA AMMONIA
PUMP W-303



NOTE: ALL INPUTS AND OUTPUTS ARE SHOWN FOR EXAMPLE ONLY. INPUTS AND OUTPUTS WILL VARY WITH EACH SITE.



REV	DESCRIPTION	DATE
2	REVISED	AUG-2024
1	REVISED	OCT-2023
0	STANDARDS	MAR-2023

REVISIONS

CHARLOTTE COUNTY UTILITIES DEPARTMENT

NOTE: PROVIDED FOR INFORMATIONAL PURPOSES ONLY. NO MODIFICATIONS WITHOUT WRITTEN CCU APPROVAL. FOR EACH INSTALLATION A SPECIFIC SET OF CONSTRUCTION DRAWINGS AND SPECIFICATIONS (IF DEEMED NECESSARY BY THE DESIGN ENGINEER) MUST BE PREPARED.



CHARLOTTE COUNTY UTILITIES - REMOTE
SITES CONTROL PANEL STANDARDS

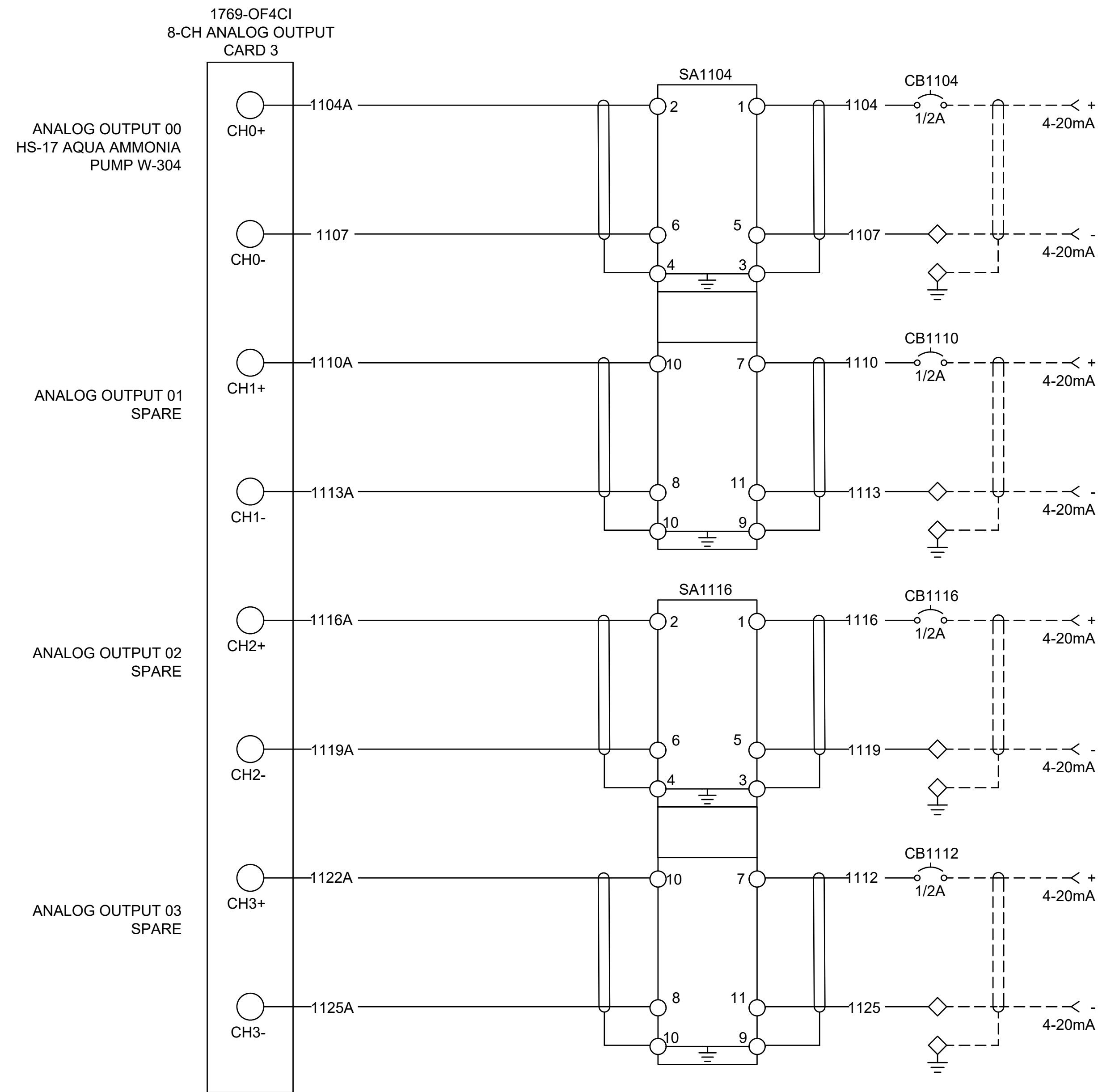
RECLAIMED BOOSTER STATION
ANALOG OUTPUTS CARDS 1 & 2

DATE: OCTOBER 2023	SCALE
MCE PROJ.# 07169-0012	HORIZONTAL: E2.13
DRAWN: CJA	VERTICAL: 1
DESIGNED: CJA	REVISION
CHECKED: EEB	
PROJ. MGR: EEB	

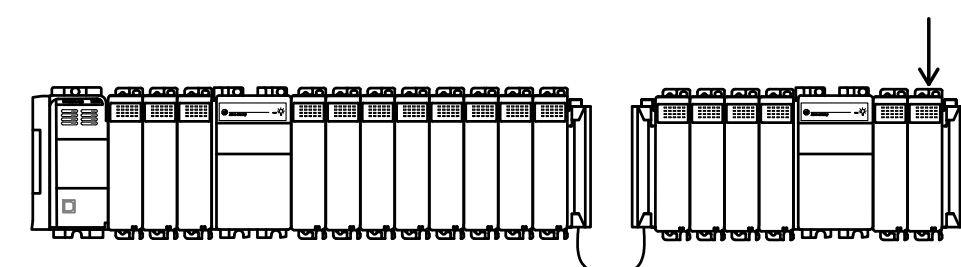
STATUS:

1100
1101
1102
1103
1104
1105
1106
1107
1108
1109
1110
1111
1112
1113
1114
1115
1116
1117
1118
1119
1120
1121
1122
1123
1124
1125
1126
1127
1128
1129
1130
1131
1132
1133
1134
1135

1137
1138
1139
1140
1141
1142
1143
1144
1145
1146
1147
1148
1149
1150
1151
1152
1153
1154
1155
1156
1157
1158
1159
1160
1161
1162
1163
1164
1165
1166
1167
1168
1169
1170
1171
1172



NOTE: ALL INPUTS AND OUTPUTS ARE SHOWN FOR EXAMPLE ONLY. INPUTS AND OUTPUTS WILL VARY WITH EACH SITE.



REV	DESCRIPTION	DATE
2	REVISED	AUG-2024
1	REVISED	OCT-2023
0	STANDARDS	MAR-2023

REVISIONS

CHARLOTTE COUNTY UTILITIES DEPARTMENT

NOTE: PROVIDED FOR INFORMATIONAL PURPOSES ONLY. NO MODIFICATIONS WITHOUT WRITTEN CCU APPROVAL. FOR EACH INSTALLATION A SPECIFIC SET OF CONSTRUCTION DRAWINGS AND SPECIFICATIONS (IF DEEMED NECESSARY BY THE DESIGN ENGINEER) MUST BE PREPARED.



CHARLOTTE COUNTY UTILITIES - REMOTE SITES CONTROL PANEL STANDARDS

RECLAIMED BOOSTER STATION
ANALOG OUTPUTS CARD 3

DATE: OCTOBER 2023
MCE PROJ. # 07169-0012
DRAWN: CJA
DESIGNED: CJA
CHECKED: EEB
PROJ. MGR.: EEB

SCALE	E2.14
HORIZONTAL:	
VERTICAL:	1
	REVISION

STATUS: